

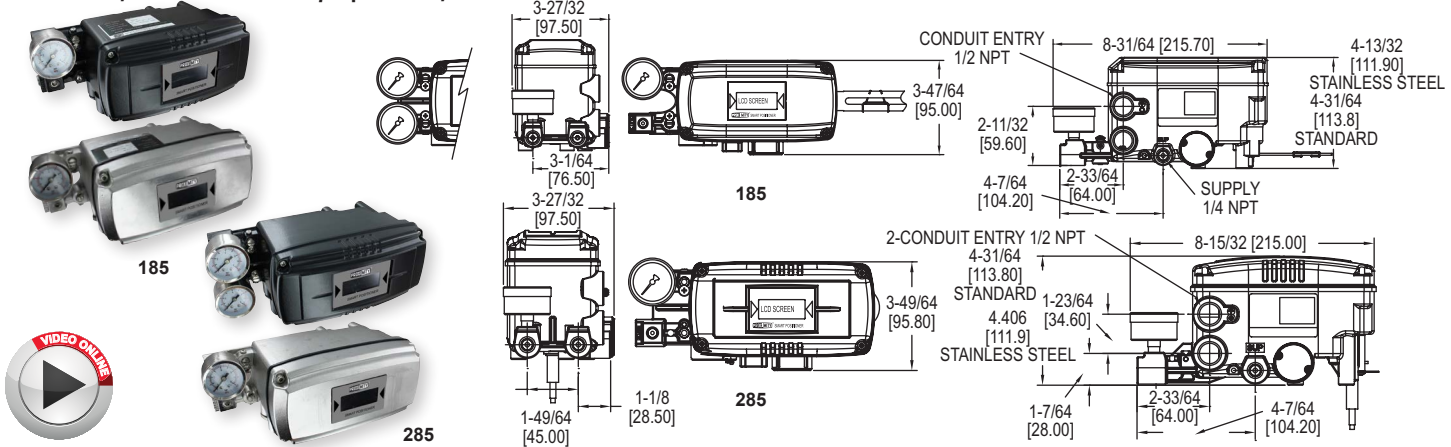
Dwyer

SERIES 185 & 285 | PROXIMITY® BY DWYER

HART
COMMUNICATION FOUNDATION

LINEAR AND ROTARY SMART POSITIONERS

Fail Freeze, Linear and Rotary Operation, HART® Communication



Proximity Series 185 & 285 Linear and Rotary Smart Positioners combine an easy to use, high performance unit with a low price. Series 185 models accurately control the valve stroke of linear motion valves and Series 285 models accurately control the valve stroke of rotary motion valves. An analog feedback signal is outputted to stabilize any valve system, and easy to use functions such as auto calibration ensure the accuracy of the unit. The compact design of this unit makes it easy to use with any size actuator. Smart Positioners feature a LCD screen attached to the outer surface of the unit, allowing for an easy inspection of the positioner condition while in the field. Available in user selectable single or double action, with HART® communication as standard. In the event that the 4 to 20 mA input signal is lost the 185 and 285 will fail in place.

MODEL CHART			
Model	Communication	Enclosure	Price
185EL-D1	HART®	Aluminum	\$1543.00 ^(B)
185EL-D1SS	HART®	SS	3336.00 ^(B)
285ER-D5	HART®	Aluminum	1543.00 ^(B)
285ER-D5SS	HART®	SS	3336.00 ^(B)

^(B) Items are subject to Schedule B discounts.

FEATURES/BENEFITS

- User selectable single or double action
- LCD display

APPLICATIONS

- Linear motion valves or rotary motion valves with single or double acting actuators

SPECIFICATIONS

Input Signal: 4 to 20 mA DC.
Input Impedance: 460 Ω max @ 20 mA DC.
Enclosure Material: Aluminum or 316 SS.
Air Supply: 35 to 116 psi (2.4 to 8 bar).
Air Connection: 1/4" NPT.
Gage Connection: 1/8" NPT.
Conduit Connection: 1/2" NPT.
Linearity: ±0.5% FS.
Hysteresis: ±0.5% FS.
Sensitivity: ±0.2% FS.

Repeatability: ±0.3% FS.
Air Consumption: .0004 scfm (.01 LPM) at 20 psig (1.4 bar) supply.
Flow Capacity: 2.1 scfm (60 LPM) at 20 psig (1.4 bar) supply.
Stroke: 0.5 to 6" (10 to 150 mm) or 0 to 90°.
Enclosure Rating: NEMA 4X (IP66).
Temperature Limits: -22 to 185°F (-30 to 85°C).
Weight: 3.3 lb (1.5 kg); SS models: 6.4 lb (2.9 kg).

HART® is a registered trademark of Hart Communication Foundation

Filters and Regulators: See pages 483-484