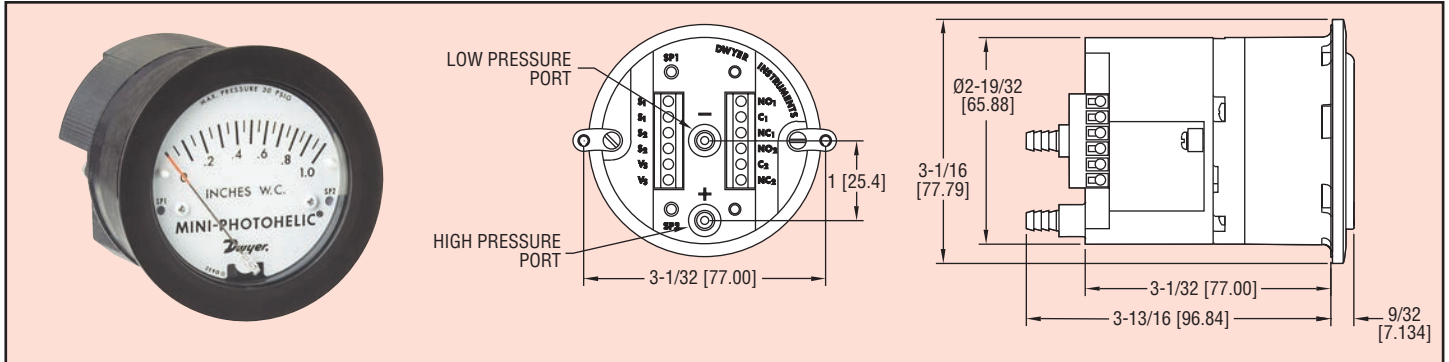


Series
MP

Mini-Photohelic® Differential Pressure Switch/Gage

Compact, Low Cost Switch Gage



The Series MP Mini-Photohelic® differential pressure switch/gage combines the time proven Minihelic® II differential pressure gage with two SPDT switching setpoints. The Mini-Photohelic® gage is designed to measure and control positive, negative, or differential pressures consisting of non-combustible and non-corrosive gases. Gage reading is independent of switch operation. Switching status is visible by LED indicators located on the front and rear of the gage. Set points are adjusted with push buttons on back of unit. This extremely compact switch/gage is ideal for fume hoods, dust collection, pneumatic conveying and clean room applications.

Model	Range, Inches of Water	Model	Range, Pa
MP-000	0-0.5	MP-125PA	0-125
MP-001	0-1.0	MP-250PA	0-250
MP-002	0-2.0	MP-500PA	0-500
MP-003	0-3.0	Model	Range, kPa
MP-005	0-5.0	MP-1KPA	0-1
MP-010	0-10	MP-3KPA	0-3
MP-020	0-20		

OPTIONS

For optional 1/8" male NPT connections, add suffix -NPT to model numbers listed above.

Example: MP-000-NPT. Allow additional lead time.

For NIST traceable calibration certificate, add suffix -NIST to model numbers.

Example: MP-005-NIST.

ACCESSORIES

A-301, Static Pressure Tip for 1/4" metal tubing connection

A-302, Static Pressure Tip for 3/16" and 1/8" I.D. plastic or rubber tubing

A-302F-A, 303 SS Static Pressure Tip with mounting flange. For 3/16" ID rubber or plastic tubing. 4" insertion depth. Includes mounting screws

A-489, 4" Straight Static Pressure Tip with Flange

SPECIFICATIONS

GAGE SPECIFICATIONS

Service: Air and non-combustible, compatible gases.

Wetted Materials: Consult factory.

Accuracy: ±5% of FS @ 70°F (21.1°C). Gage face mounted in vertical position.

Pressure Limits: 30 psig (2.067 bar).

Temperature Limits: 20 to 120°F (-6.7 to 49°C).

Process Connections: Barbed for 3/16" ID tubing (STD); 1/8" male NPT (optional).

Size: 4-1/8" (104.78 mm) depth x 3-1/16" (77.79 mm) diameter.

Weight: 23 oz (652 g).

SWITCH SPECIFICATIONS

Switch Type: (2) SPDT relays.

Electrical Rating: 5A @ 120/240 VAC resistive; 5A @ 30 VDC.

Electrical Connections: Screw type terminal block. Accepts 22-12 AWG wire.

Power Requirements: 24 VDC / 24 VAC 50/60 Hz 4 watts.

Mounting Orientation: Gage face in vertical position.

Set Point Adjustment: Push buttons.

Standard Accessories: (2) mounting screws, (1) .050" hex allen wrench.

Agency Approvals: CE, cUL, UL.