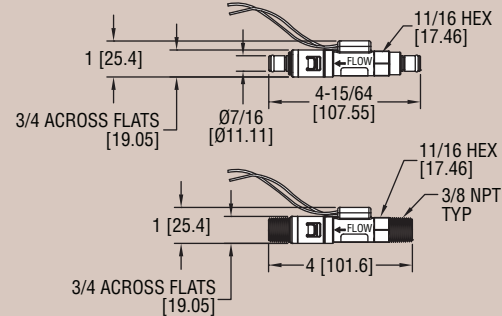
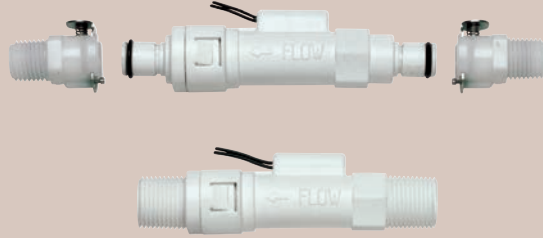


Series
P3

Polypropylene Flow Switch

Fixed Set Points from 0.25 to 2.0 GPM, 3/8" NPT or "Quick Disconnect" Adapters



Fit almost any piping requirements with the Series P3 Polypropylene Flow Switch. The basic piston design consists of a hermetically sealed SPST normally open reed switch. Choose the inlet and outlet port to be 3/8" male NPT or 1/4" male "Quick Disconnect". Select a quick disconnect acetal adapter for straight through flow or with a shut off valve. The shut off valve will stop line flow when the adapter is removed from the switch. The flow will resume when the adapter is reconnected. With many snap-on fittings to choose from, any flow application can integrate the P3 Flow Switch into the existing piping.

Model	Connection	Actuation Set Point GPM (LPM)
P3-31	3/8" NPT	0.25 (.95)
P3-32	3/8" NPT	0.50 (1.89)
P3-33	3/8" NPT	1.0 (3.79)
P3-34	3/8" NPT	1.5 (5.68)
P3-35	3/8" NPT	2.0 (7.57)
P3-41	Q Disconnect	0.25 (.95)
P3-42	Q Disconnect	0.50 (1.89)
P3-43	Q Disconnect	1.0 (3.79)
P3-44	Q Disconnect	1.5 (5.68)
P3-45	Q Disconnect	2.0 (7.57)

SPECIFICATIONS

Service: Compatible liquids.

Wetted Materials: Housing:

Polypropylene; Piston: PPS composite;

Spring: 316SS; O-ring: Fluorocarbon.

Temperature Limits: 0 to 212°F (-18 to 100°C).

Pressure Limits: 125 psig (8.6 bar) @ 70°F (21°C), 50 psig (3.4 bar) @ 212°F (100°C).

Accuracy: 20% of set point.

Repeatability: ±1%.

Switch Type: SPST, NO.

Electrical Rating: .08A @ 120 VAC.

Electrical Connection: 24" (60.96 cm), polymeric wire leads, 22 AWG.

Process Connection: 3/8" male NPT or 1/4" quick disconnect.

Mounting Orientation: Any position. Set points shown are based on vertical, inlet down position.

Required Filtration: 100 microns or better.

Weight: 5 oz (0.14 kg).

Agency Approvals: CE.

Adapters (Price shown per unit, need two per switch)

Model	Connection
P3-801	Quick disconnect straight through 1/4" NPT
P3-802	Quick disconnect straight through 1/4" BSPT
P3-804	Quick disconnect straight through 3/8" BSPT
P3-807	Quick disconnect straight through 1/4" ID tubing
P3-901	Quick disconnect straight through 1/4" NPT w/shut-off valve
P3-902	Quick disconnect straight through 1/4" BSPT w/shut-off valve
P3-907	Quick disconnect straight through 1/4" ID tubing w/shut-off valve