



SERIES TE-E/N

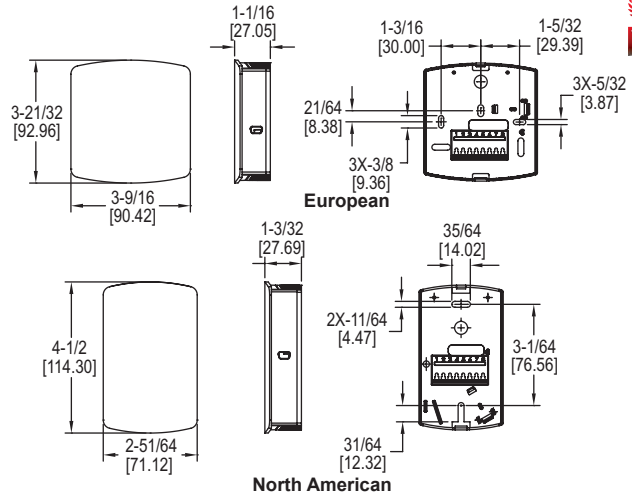
WALL MOUNT TEMPERATURE SENSOR

Discrete Wall Mount Housing



European

North American



TEMPERATURE

The **SERIES TE-E/N** Wall Mount Temperature Sensor provides a low cost temperature input for any building management system.

FEATURES/BENEFITS

- North American or European housing aesthetic options
- Uniform look matches other Dwyer wall mount devices
- Universal mounting plate meets various installation requirements

APPLICATIONS

- Building automation
- Room temperature monitoring

MODEL CHART			
North American Model	Sensor Type	European Model	Sensor Type
TE-NND-A	10k Ω type III thermistor	TE-END-A	10k Ω type III thermistor
TE-NND-B	10k Ω type II thermistor	TE-END-B	10k Ω type II thermistor
TE-NND-C	3k Ω thermistor	TE-END-C	3k Ω thermistor
TE-NND-D	Pt100 Ω RTD	TE-END-D	Pt100 Ω RTD
TE-NND-E	Pt1000 Ω RTD	TE-END-E	Pt1000 Ω RTD
TE-NND-F	20k Ω thermistor	TE-END-F	20k Ω thermistor

SPECIFICATIONS

Accuracy: Thermistor temp sensor: $\pm 0.22^{\circ}\text{C}$ @ 25°C ($\pm 0.4^{\circ}\text{F}$ @ 77°F); RTD temp sensor: DIN class B; $\pm 0.3^{\circ}\text{C}$ @ 0°C ($\pm 54^{\circ}\text{F}$ @ 32°F).

Temperature Limits: -40 to 140°F (-40 to 60°C).

Housing Material: ABS plastic.

Weight: 0.3 lb (136 g).