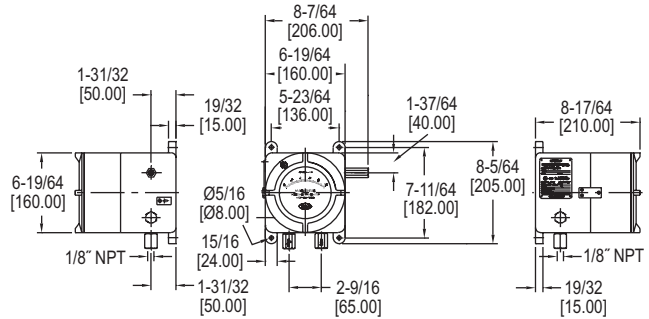
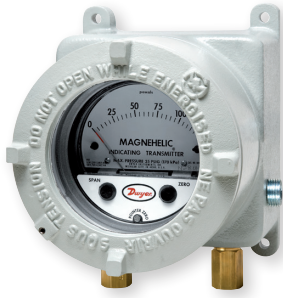


ATEX APPROVED 605 DIFFERENTIAL PRESSURE INDICATING TRANSMITTER

Series 605 in Flame-Proof ATEX Enclosure



The ATEX approved **SERIES AT2605** Indicating Transmitter provides for both visual monitoring and electronic control of very low differential pressure in hazardous locations. The easily read dial gage is complimented by the two-wire, 4 to 20 mA control signal utilizing the time-proven Dwyer® Magnehelic® gage mechanical design and Series 600 transmitter technology. The two-wire design simplifies any 4 to 20 mA control loop powered by a 10 to 35 VDC supply. Flame-proof ATEX enclosures are available in aluminum and can include a glass window for viewing process pressure on gage face.

FEATURES/BENEFITS

- ATEX housing provides all the capabilities and value of the Magnehelic® 605 in a flame & explosion proof enclosure
- Quick response to pressure changes means no delay in assessing critical situations
- Durable and rugged housing and high-quality components combined provides long-service life and minimized down-time
- High impact strength and high temperature rated for applications where hazardous environments exist

APPLICATIONS

- Monitor pressures in ducts, rooms, or total building pressures
- Filter monitoring
- Local indication of clean room pressures with process signal sent to control room
- Hazardous area pressure measurement and transmitter

SPECIFICATIONS

GAGE SPECIFICATIONS

Service: Air and non-combustible, compatible gases.
Wetted Materials: Consult factory.
Accuracy: See page reference ① below.
Pressure Limits: See page reference ① below.
Temperature Limits: 20 to 120°F (-6.67 to 48.9°C); Case: -76 to 140°F (-60 to 60°C) (Note: Product temperature limits differ from case).
Size: 4" (101.6 mm) dial face.

TRANSMITTER SPECIFICATIONS

Accuracy: See page reference ① below. Includes linearity, hysteresis, repeatability.
Compensated Temperature Range: 32 to 120°F (0 to 48.9°C).
Thermal Effect: ±0.025% FS/°F (0.045% FS/°C).
Stability: ±1% FS/year.
Power Requirements: 10 to 35 VDC (2-wire).
Output Signal: 4 to 20 mA.

Zero and Span Adjustments: Protected potentiometers on 605 face. Can access those by opening case. Allowed only in safe zone.

Loop Resistance: DC: 0 to 1250 Ω max.
Current Consumption: DC: 38 mA max.

Electrical Connections: Screw terminal block.

Mounting Orientation: Diaphragm in vertical position.

Enclosure Rating: IP66. IP65 with option OPV, overpressure relief valve.

Housing Material: Aluminum.

Finishing: Texture epoxy coat RAL7038.

Process Connections: 1/8" NPT female brass (SS optional). In presence of acetylene it is necessary to use SS.

Electrical Connections: Two 1/2" NPT female. Cable gland not included.

Weight: 12.6 lb (5.7 kg).

ATEX Approved Products from Comhas with ECN: BVI 14ATEX0072.
Agency Approvals: CE 1370 Ex d IIC Gb T6; -60°C ≤ Ta ≤ +60°C Ex tb IIIC Db T 85°C.

MODEL CHART										
Example	AT2605	-00N	-X	-A	B	1	X	T2	AT2605-00N-X-AB1XT2	Price
Series	AT2605								ATEX approved 605 differential pressure indicating transmitter	\$1504.00 [ⓑ]
Range		00N							.05 to 0 to .20 in w.c.	+74.00 [ⓑ]
		11							.25 to 0 to .25 in w.c.	+74.00 [ⓑ]
		0							0 to .50 in w.c.	-
		1							0 to 1.0 in w.c.	-
		2							0 to 2.0 in w.c.	-
		3							0 to 3.0 in w.c.	-
		6							0 to 6.0 in w.c.	-
		10							0 to 10.0 in w.c.	-
		20							0 to 20.0 in w.c.	-
		30							0 to 30 in w.c.	-
		50							0 to 50 in w.c.	-
		60Pa							0 to 60 Pa	+74.00 [ⓑ]
		125Pa							0 to 125 Pa	-
		250Pa							0 to 250 Pa	-
		500Pa							0 to 500 Pa	-
Construction			X						Standard construction	-
Housing				A					Aluminum	-
Cover					B				Blind	-
					O				Glass top cover	+55.50 [ⓑ]
Process Connection						1			1/8" NPT female brass ports	-
						2			1/8" NPT female SS ports	+124.00 [ⓑ]
Overpressure Plug							X	OPV	Standard without overpressure relief valve	+61.00 [ⓑ] brass
									Overpressure relief valve	+105.00 [ⓑ] SS
									Material same as ports	-
Tag								T2	SS information label	-

ⓑ Items are subject to Schedule B discounts.

USA: California Proposition 65
 ⚠ WARNING: Cancer and Reproductive Harm - www.P65Warnings.ca.gov

●605 Ordering Page: See page 66 (Series 605)