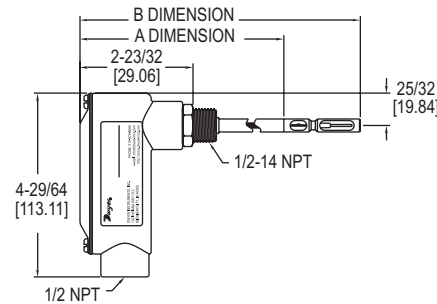
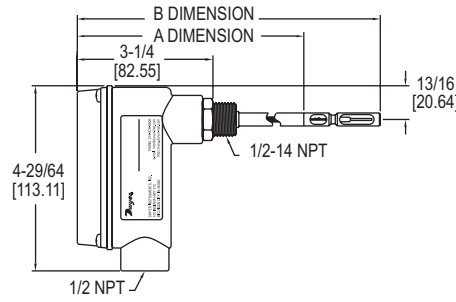


# AIR VELOCITY TRANSMITTERS

## High Accuracy, Field Selectable Ranges



641 AVT WITH DISPLAY OPTION	
A Dimension	B Dimension
7-63/64 [202.80]	9-13/16 [249.24]
13-63/64 [355.20]	15-13/16 [401.64]
19-63/64 [507.60]	21-13/16 [554.04]
26-63/64 [685.40]	28-13/16 [731.84]
32-63/64 [837.80]	34-13/16 [884.24]
37-63/64 [964.80]	39-13/16 [1011.24]

641 AVT WITHOUT DISPLAY OPTION	
A Dimension	B Dimension
7-7/16 [188.91]	9-9/32 [235.74]
13-7/16 [341.31]	15-9/32 [388.14]
19-7/16 [493.71]	21-9/32 [540.54]
26-7/16 [671.51]	28-9/32 [718.34]
29-7/16 [747.71]	34-9/32 [870.74]
37-7/16 [950.91]	39-9/32 [997.74]

The **Series 641 Air Velocity Transmitters** are the ideal instrument for monitoring air flow. This transmitter uses a heated mass flow sensor which allows for precise velocity measurements at various flow rates and temperatures. The 641's 16 field-selectable ranges provides it the versatility to be selected for several air flow applications. The optional LED produces a complete, low-cost solution for local indication of air flow.

### FEATURES/BENEFITS

- Ranges from 250 FPM (1.25 MPS) to 15,000 FPM (75 MPS)
- Optional bright LED display
- Easy push button set-up
- Compact housing
- 4 to 20 mA output
- Digital filter for signal damping

### APPLICATIONS

- Exhaust stack flow monitoring
- Air control in drying processes
- HVAC air velocity measurements
- Fan supply and exhaust tracking
- Clean room ventilation monitoring

MODEL CHART	
Model	Probe Length*
641-6	6" (152.4 mm)
641-6-LED	6" (152.4 mm)
641-12	12" (304.8 mm)
641-12-LED	12" (304.8 mm)
641-18	18" (457.2 mm)
641-18-LED	18" (457.2 mm)
641-24	24" (609.6 mm)
641-24-LED	24" (609.6 mm)

\*Other probe lengths available contact factory.

OPTIONS	
To order add suffix:	Description
-NIST	NIST traceable calibration certificate
Example: 641-6-NIST	

### SPECIFICATIONS

**Service:** Clean air and compatible, non-combustible gases.  
**Accuracy:** 3% FS process gas: 32 to 122°F (0 to 50°C); 4% FS process gas: -40 to 32°F & 122 to 212°F (-40 to 0°C & 50 to 100°C).  
**Response Time:** Flow: 1.5 s to 95% of final value (output filter set to minimum).  
**Temperature Limits:** Process: -40 to 212°F (-40 to 100°C); Ambient: 32 to 140°F (0 to 60°C).  
**Pressure Limit:** 100 psi (6.89 bar) maximum.  
**Humidity Limit:** Non-condensing.  
**Power Requirements:** 12 to 35 VDC, 10 to 16 VAC. 1.5 A rating required on supply due to initial power surge drawn by transmitter.  
**Output Signal:** 4 to 20 mA, isolated 24 V source, 3 or 4-wire connection.  
**Output Filter:** Selectable 0.5 -15 (s).  
**Loop Resistance:** 600 Ω max.  
**Current Consumption:** 300 mA max.  
**Electrical Connections:** Screw terminal.  
**Process Connections:** 1/2" male NPT.  
**Enclosure Rating:** Designed to meet NEMA 4X (IP66) for non LED models only.  
**Mounting Orientation:** Unit not position sensitive. Probe must be aligned with airflow.  
**Weight:** 12.6 oz (357.2 g).  
**Agency Approval:** CE.

**OPTIONAL DISPLAY VERSION:**  
**Display:** 4-1/2 digit 1/2" red LED.  
**Resolution:** 1 FPM, 0.01 MPS (10 FPM @ 10,000 and 15,000 FPM ranges).  
**Weight:** 13.3 oz (377 g).

ACCESSORIES	
Model	Description
A-156	Universal mounting plate 1/2" female NPT
A-158	Split flange mounting kit
A-159	Duct mounting gland
641-LED	Field-upgradeable LED