

CAPSU-PHOTOHELIC® PRESSURE SWITCH/GAGES

Lo-Limit and Hi-Limit Control, Aluminum or Brass Case Available

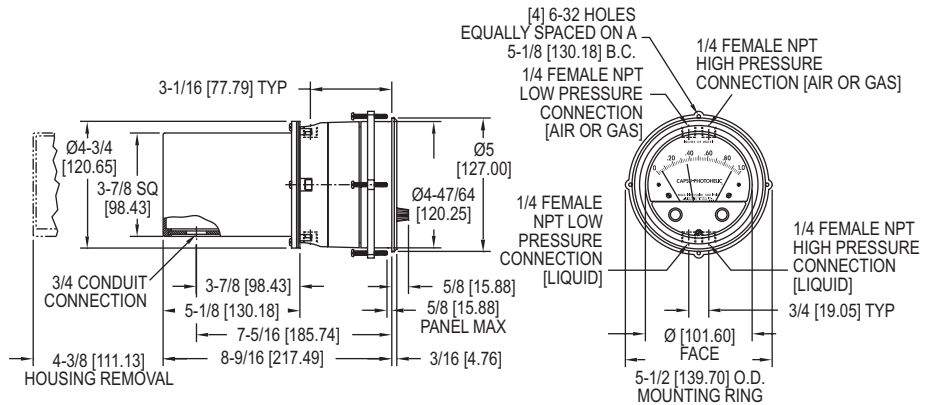
Set points are instantly adjusted with front knobs.



Series 43000
Capsu-Photohelic® Switch/Gage



Series 43000
Capsu-Photohelic® Switch/Gage with Brass Body



Series 43000 Capsu-Photohelic® Pressure Switch/Gages function as versatile, highly repeatable pressure switches combined with a precise pressure gage employing the time-proven Magnehelic® gage design. The Capsu-Photohelic® switch/gage employs an encapsulated sensing element for use with both liquids and gases at pressures to 500 psig (34 bar). Optional cast brass case is available for water or water based liquids. Two phototransistors actuated, DPDT relays are included for low/high limit control. Easy to adjust set point indicators are controlled by knobs located on the gage face. Individual set point deadband is one pointer width — less than 1% of full scale. Set points can be interlocked to provide variable deadband — ideal for control of pumps.

FEATURES/BENEFITS

- Gage capsule permits high-pressure usage with small differentials
- Zero and range adjustments outside of gage means no disassembly in normal service
- Time-proven, simple, frictionless movement that permits full scale readings as low as 0.5 in w.c.
- Photo-electronic relays provide fast-acting switching with variable deadband control for chatter-free operation

APPLICATIONS

- Pump control
- Pumping systems
- Waste water
- Compatible liquid or gas applications

MODEL CHART					
Model	Range in w.c.	Price	Model	Range in w.c.	Price
43000-0	0-.5	\$822.00	43050	0-50	\$822.00
43001	0-1.0	822.00	43060	0-60	822.00
43002	0-2.0	822.00	43080	0-80	822.00
43003	0-3.0	822.00	43100	0-100	822.00
43004	0-4.0	822.00	43150	0-150	822.00
43005	0-5.0	822.00	43200	0-200	822.00
43006	0-6.0	822.00	43300	0-300	822.00
43008	0-8.0	822.00	43400	0-400	822.00
43010	0-10	822.00	43500	0-500	822.00
43015	0-15	822.00	43302	1-0-1	740.00
43020	0-20	822.00	43304	2-0-2	740.00
43025	0-25	822.00	43310	5-0-5	740.00
43030	0-30	822.00	43320	10-0-10	740.00
43040	0-40	822.00	43330	15-0-15	740.00

ACCESSORIES		
Model	Description	Price
A-298	Flat aluminum bracket for flush mounting	\$28.25

SPECIFICATIONS

GAGE SPECIFICATIONS
Service: Compatible gases and liquids. Brass case option required for water based liquids.
Wetted Materials: Consult factory.
Accuracy: ±3% of FS at 70°F (21.1°C). ±4% on 43215, 43220 and 43500.
Pressure Limits: -20 Hg to 500 psig (-0.677 to 34.5 bar).
Temperature Limits: 20 to 120°F (-6.67 to 48.9°C). Low temperature option available.
Process Connections: 1/4" female NPT.
Size: 4" (101.6 mm) dial face, 5" (127 mm) OD x 9-3/16" (233.36 mm).
Weight: 5 lb, 8 oz (2.49 kg). Brass 11 lb, 2 oz (5.05 kg).

SWITCH SPECIFICATIONS
Switch Type: Each setpoint has 2 form C relays (DPDT).
Repeatability: ±1% of FS.
Electrical Rating: 10 A @ 120 VAC, 6 A @ 240 VAC, 60 Hz res. 10 A @ 28 VDC.
Electrical Connections: Screw terminals.
Power Requirements: 120 VAC, 50/60 Hz; 240 VAC & 24 VAC power optional.
Mounting Orientation: Diaphragm in vertical position. Consult factory for other position orientations.
Set Point Adjustment: Adjustable knobs on face.

OPTIONS		
To order add suffix:	Description	Price
-SRH	Single relay activates on increase	-
-SRL	Single relay activates on decrease	-
-24VAC	24 VAC relay pack	+\$37.75
-240VAC	240 VAC relay pack	+\$21.00
-RMR	Remote mounted relay	+\$60.00
-TAMP	Tamper proof knobs	+\$14.25
-WP	Weatherproof (NEMA 4)	+\$57.00
-EXPL	Explosion-proof (NEMA 7 C, D, 9 E, F, G; NEC Class I, Div. 1 & 2, Groups C, D, Class II, Div. 1 & 2, Groups E, F, G, Class III	+\$950.00 ⁽¹⁾
-NIST	NIST traceable calibration certificate	+\$99.00
Example: 43001-NIST		
B	Brass body; For water based liquids order optional brass case	+\$173.00
Example: 43001B		
Contact Customer Service for detailed dimension drawings.		
⁽¹⁾ Items are net priced and are not subject to any discount.		

USA: California Proposition 65
 ⚠WARNING: Cancer and Reproductive Harm - www.P65Warnings.ca.gov

Process Tubing Options: See page 503 (Gage Tubing Accessories)