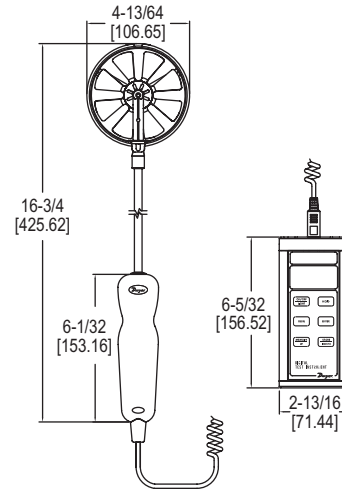


Dwyer

MODEL 473B

100 MM VANE THERMO-ANEMOMETER TEST INSTRUMENT

Measures Air Velocity or Air Volume, Temperature, and Humidity Simultaneously



The **Model 473B 100 mm Vane Thermo-Anemometer Test Instrument** is a versatile unit that quickly and easily measures air velocity or volumetric air flow, as well as air temperature and humidity in imperial or metric units. A stainless steel 100 mm vane probe is included, which has a comfortable hand grip. The extruded aluminum housing fully protects electronics, yet is lightweight and comfortable to hold.

FEATURES/BENEFITS

- Compatible with Dwyer AP1 thermo-anemometer and RP1 thermo-hygrometer wired probes (sold separately)
- Included 100 mm vane probe is able to measure air velocity, volumetric air flow, temperature, and humidity
- High contrast and backlit LCD for visibility in any condition
- Able to store up to 99 readings for later evaluation

APPLICATIONS

- Residential balancing
- HVAC inspections

MODEL CHART

Model	Description	Price
473B-1	Vane thermo-anemometer test instrument	\$411.00

OPTIONS

To order add suffix:	Description	Price
-COC	Certificate of calibration	-
-FC	Factory calibration certificate	+\$30.00
-NIST	NIST traceable calibration certificate	+215.00

Example: 473B-1-NIST

SPECIFICATIONS**Service:** Dry, clean air.**Temperature Limits:** Process: -20 to 212°F (-29 to 100°C); Ambient: 5 to 125°F (-15 to 51°C).**Display:** 4.5 digit backlit display.**Range:** Air velocity: 40 to 5000 fpm (0.2 to 25 m/s); Volumetric air flow: 19,999 in selected flow units; Temperature: -20 to 212°F (-29 to 100°C); Relative humidity: 0 to 100% RH.**Accuracy:** Air velocity: ±1.5% of reading ±20 fpm (±0.1 m/s) [0.25 to 10 m/s]; ±1.5% of reading ±40 fpm (±0.2 m/s) [10 to 20 m/s]; ±1.5% of reading ±60 fpm (±0.3 m/s) [20 to 25 m/s]; Temperature: ±0.54°F @ 77°F (±0.3°C @ 25°C); Relative Humidity: ±2% @ 77°F (25°C) [10 to 90% RH]; ±4% [0 to 10, 90 to 100% RH].**Response Time:** Air velocity: 1 s; Volumetric air flow: 1 s; Temperature: 1.5 s; Relative humidity: 1.5 s.**Probe Length:** 8" (203 mm) insertion.**Cable Length:** 28" (71 cm) retracted; 6' (18.3 m) extended.**Vane Material:** Anodized aluminum.**Power Requirements:** 9 V alkaline battery, installed non-functional, user replaceable.**Weight:** 18.4 oz (521 g).**ACCESSORIES**

Model	Description	Price
A-47X-BOOT	Protective magnetic rubber boot	\$13.00
A-VPX-CKIT	Vane hood kit	\$322.00
AP1*	Hot wire thermo-anemometer probe with coiled cable	206.00
RP1*	Thermo-hygrometer probe with coiled cable	170.00
UHH-C1	Soft carrying case	39.00
VP1*	100 mm vane thermo-anemometer probe with coiled cable (replacement)	232.00

*Consult website for more details.

A-47X-BOOT
(manometer not included)

A-VPX-CKIT



AP1



RP1



UHH-C1



VP1