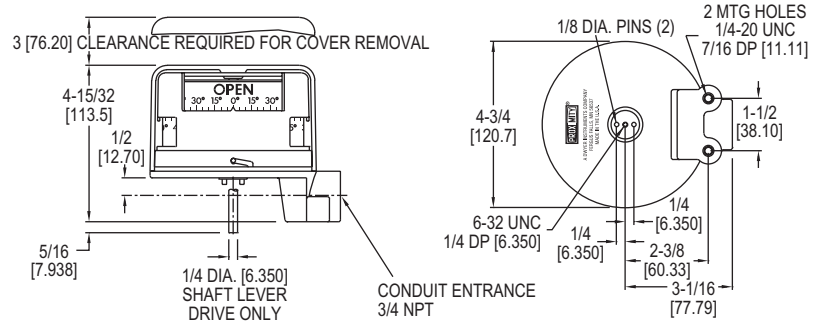


QUICK-VIEW® VALVE POSITION INDICATORS/SWITCHES

Ultra-Low Cost, Compact, Backlit, Corrosion Resistant



The Series QV Quick-View® Valve Position Indicators/Switches, now UL and CSA rated, are produced by Proximity with up to four individual mechanical or proximity switches. The Quick-View® indicator is also available with optional backlighting.

FEATURES/BENEFITS

- The lowest cost position indication
- Extremely compact design
- Easily interchangeable with key competition
- Backlighting option available for maximum visibility
- Quick-View® Indicator and mounting kits, including NAMUR kits, are stocked for fast delivery
- Flame retardant
- UV protection
- Hazardous location option

APPLICATIONS

- Rotary or linear valve indication
- Industrial damper position monitoring

SPECIFICATIONS

Minimum Rotation Travel (Switches only): 5°.
Maximum Rotation Travel (Switches only): 360°.
Temperature Limits: -40 to 180°F (-40 to 82°C).
Switch Type: SPDT.
Electrical SPDT Switch Ratings: QV-X1XXXX: 10 A @ 125/250 VAC; 0.5 A 125 VDC; 10 A @ 24 VDC mech. switch; QV-X2XXXX: 1 A @ 125 VAC; 1A @ 24 VDC mech. switch; QV-X3XXXX: 2 A @ 125 VAC; 2A @ 30 VDC prox. switch; QV-X4XXXX: 5-25 VDC namur sensor; QV-X5XXXX: 10-30 VDC inductive sensor; QV-X6XXXX: 10 A @ 125/250 VAC mech. switch.
Lighting Supply Voltage: 24-28 VDC.
Enclosure Material: Polycarbonate housing and conduit.
Conduit Entrance: One 3/4" NPT.
Enclosure Rating: NEMA 4, 4X (IP66, IP56). Optional explosion-proof, rated: Class I, Groups A, B, C, D; Class II, Groups F & G; Div. 2.
Maximum Altitude: 2000 m (6560 ft).
Agency Approvals: CE, CSA, cULus.

| MODEL CHART | | |
|-------------|--------------|----------|
| Model | Backlighting | Price |
| QV-210101 | No | \$127.50 |
| QV-210111 | Yes | 141.75 |

Note: Stocked position indicators include two 10 amp SPDT mechanical snap switches, are direct drive type and include the standard quarter-turn OPEN/CLOSED visual indicator. Standard units are CSA & UL approved but not for hazardous locations. Specify "EX" for hazardous location option. Consult factory for optional VI colors

| MODEL CHART | | | | | | | |
|---------------------------|----|----|----|----|----|----|---|
| Example | QV | -2 | 1 | 01 | 0 | 1 | QV-210101 |
| Series | QV | | | | | | Quick-View® valve position indicator/switch |
| Number of Switches | | 0 | 1 | 2 | 3 | 4 | None* One* Two* Three* Four* |
| Switch Type | | 0 | 1 | 2 | 3 | 4 | No switches* 10A mechanical snap switch 1A mechanical gold contacts 2A Proximity reed switch* 5-25 VDC namur sensor 10-30 VDC inductive sensor 10A mechanical snap switch |
| Driving Style | | | 01 | 02 | 03 | | Direct* Lever* Namur* |
| Lighting Option | | | | 0 | 1 | | None* 24 to 28 VDC bright white LED's |
| Visual Indication | | | | | 0 | 1 | None Standard (open closed)* Upside down (open closed)* |
| Additional Options | | | | | | EX | Class I, Div. II, Groups A, B, C & D; Class II, Div. II Groups F & G. |

*EX, Explosion-proof option available.
Note: The 1st, 2nd, 3rd and 6th codes can not all be zero.



Model QV mounted to an actuator