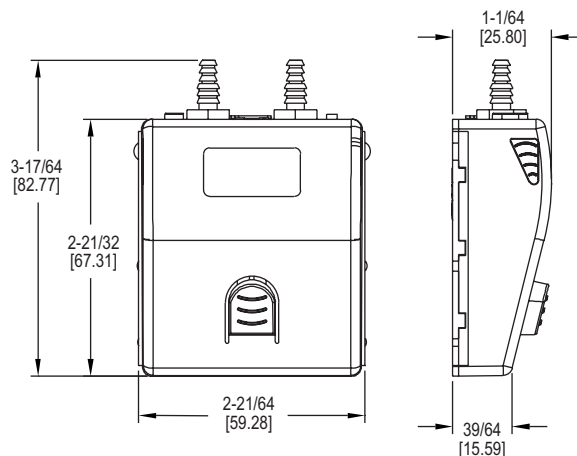


**Dwyer**  
SERIES WDPM

# DIFFERENTIAL PRESSURE MODULES

Wireless, Measures Differential Pressure, Air Velocity, and Flow



Series WDPM Wireless Differential Pressure Modules are used with the Model UHH handheld meter and the Mobile Meter® Software Test Instrument Mobile App.

## FEATURES/BENEFITS

- Compatible with Dwyer's Mobile Meter App
- Bluetooth Gateway allows for up to 10 probes for simultaneous readings
- Simple single button operation for power and logging
- Wide selections of ranges for optimum accuracy
- Stable 50' (15 m) wireless range

## APPLICATIONS

- Building commissioning
- Building HVAC test and balance
- Critical environment testing
- Industrial process verification
- Instrumentation validation

MODEL CHART			
Model	Range	Maximum Pressure	Price
WDPM-002	±2 in w.c. (±500 Pa)	10 psi (68.9 kPa)	<b>\$85.00</b>
WDPM-005	±5 in w.c. (±1250 Pa)	10 psi (68.9 kPa)	<b>85.00</b>
WDPM-010	±10 in w.c. (±2.5 kPa)	10 psi (68.9 kPa)	<b>85.00</b>
WDPM-020	±20 in w.c. (±5 kPa)	20 psi (137.9 kPa)	<b>85.00</b>
WDPM-030	±30 in w.c. (±7.5 kPa)	20 psi (137.9 kPa)	<b>85.00</b>
WDPM-100	±100 in w.c. (±25 kPa)	15 psi (103.4 kPa)	<b>85.00</b>
WDPM-200	±200 in w.c. (±50 kPa)	45 psi (310.3 kPa)	<b>85.00</b>
WDPM-350	±350 in w.c. (±87 kPa)	45 psi (310.3 kPa)	<b>85.00</b>

## SPECIFICATIONS

**Service:** Non-corrosive dry gases.

**Wetted Materials:** Consult factory.

**Accuracy:** ±0.5% FS span @ 25°C (includes non linearity, hysteresis, and non repeatability).

**Pressure Limits:** See model chart.

**Engineering Units:** Pressure: in w.c., ft w.c., in Hg, psi, OzSl, mm w.c., cm w.c., mBar, Pa, hPa, and kPa; Velocity: fpm, mph, kn, m/s, m/h, k/h, and fps; Flow: cfm, gpm, gpd, m³/s, m³/h, lps, lpm, and lph.

**Temperature Limits:** Compensated: 32 to 140°F (0 to 60°C); Process/ambient: 14 to 140°F (-10 to 60°C).

**Thermal Effects:** ±0.01% FS/°F (±0.02% FS/°C).

**Battery Charging Limits:** 32 to 113°F (0 to 45°C).

**Power Requirements:** 3.7 V YT562447 lithium ion battery, installed functionally, user replaceable.

**Wireless Distance:** At least 50' (15 m).

**Connections:** Two barbed connections for use with 1/8" (3.18 mm) or 3/16" (4.76 mm) ID tubing.

**Weight:** 2.5 oz (70.87 g).

**Agency Approvals:** CE with CE approved charger, FCC.

## ACCESSORIES

Model	Description	Price
A-WDPM-BRK	Differential pressure mounting bracket	<b>\$10.25</b>