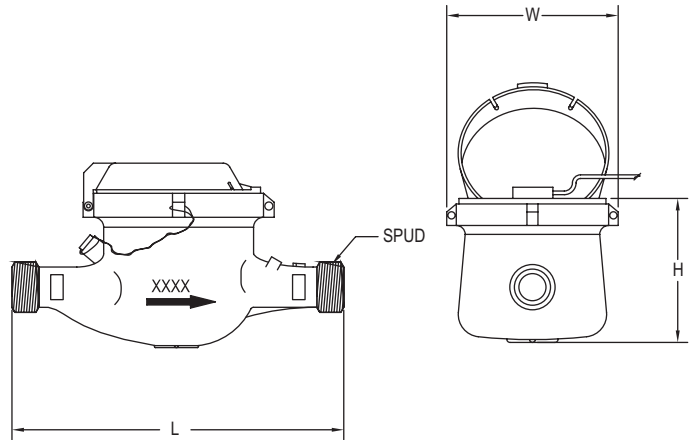


# MULTI-JET BRASS BODY WATER METER

NSF Certified, Lead Free, Economical



Size in (mm)	Spud NPSM (BSPP)	Length 'L' in (mm)	Width 'W' in (mm)	Height 'H' in (mm)	Weight lb (kg)
5/8 x 1/2 (15)	3/4" (3/4")	7-31/64(190)	3-45/64 (94)	4-15/64 (107.5)	3.58 (1.63)
5/8 x 3/4 (15)	1" (1")	7-31/64(190)	3-45/64 (94)	4-15/64 (107.5)	3.81 (1.73)
3/4 (20)	1" (1")	10-1/4 (260)	3-55/64 (98)	4-5/8 (117.5)	6.02 (2.73)
1 (25)	1-1/4" (1-1/4")	10-1/4(260)	3-55/64 (98)	4-5/8 (117.5)	6.02 (2.73)
1-1/2 (40)	2" (2")	11-13/16 (300)	4-51/64 (122)	4-5/8 (117.5)	12.02 (5.45)
2 (50)	2-1/2" (2-1/2")	11-13/16 (300)	5-45/64 (145)	5-9/16 (141.5)	13.23 (6)



The **Series WNT Multi-Jet Brass Body Water Meter** is a series of mechanical, water totalizing meters that display the total water usage in gallons or cubic meter. They are available in a range of body sizes and include NPT or BSPT couplings. Its lead free, NSF certified body is ideal for potable water applications.

**FEATURES/BENEFITS**

- NSF/ANSI makes it ideal for no lead portable water requirements
- Multi-jet design allows for simplicity and accuracy with wide flow ranges, even in low flow applications
- Magnetically driven, hermetically sealed register does not leak or fog and is completely separated from the water
- Designed for long service life and maintenance-free operation
- Integral strainer that protects meter from particulate damage
- Easy installation with included coupling adapters
- Pulsed output proportional to flow allows for remote flow totalization

**APPLICATIONS**

- Potable water applications
- Residential water measurement
- Remote water monitoring

**SPECIFICATIONS**

**Service:** Water.  
**Wetted Materials:** Body: ECO BRASS®; Couplings: ECO BRASS®; Measuring Chamber: ABS Plastic.  
**Flow Range:** See model chart.  
**Accuracy:** Transitional Flow: ± 3%; Nominal Flow: ±1.5%.  
**Temperature Limit:** 122°F (50° C).  
**Pressure Limit:** 150 psi (10 bar).  
**Totalizing Display Maximum:** See model chart.  
**Output Signal:** Pulse output with frequency proportional to flow rate.  
**Pulse Options:** 0.1 gal, 1 gal, 10 gal, 100 gal per pulse.  
**Electrical Rating:** 0.01 A @ 24 VAC/DC.  
**Electrical Connections:** Color-coded lead wires, 4.5' (1.5 m) long.  
**Mounting Orientation:** Horizontal with register facing up.  
**Weight:** See dimension chart.  
**Agency Approvals:** NSF.

**MODEL CHART**

Model	Size	Coupling Size	GPM (Gallons Per Minute)			Display Max (Gallons)	Pulse Rate (Gal/Pulse)	Price
			Max Flow	Nominal Flow Range	Transitional Flow			
WNT-A-C-01	5/8" x 1/2"	1/2" NPT	20	1 to 20	0.25	9,999,999.99	0.1	\$87.00
WNT-A-C-02	5/8" x 3/4"	3/4" NPT	20	1 to 20	0.25	9,999,999.99	0.1	90.00
WNT-A-C-05	3/4" x 1"	1" NPT	30	2 to 30	0.5	9,999,999.99	0.1	137.00
WNT-A-C-06	1"	1" NPT	50	3 to 50	0.75	9,999,999.99	0.1	139.00
WNT-A-C-07-1	1-1/2"	1-1/2" NPT	100	5 to 100	1.25	9,999,999.9	1	248.00
WNT-A-C-08-1	2"	2" NPT	160	8 to 160	2	9,999,999.9	1	363.00

USA: California Proposition 65  
 ⚠️WARNING: Cancer and Reproductive Harm - www.P65Warnings.ca.gov

ECO BRASS® is a registered trademark patent by Mitsubishi Shindoh