

REMOTE DISPLAY FOR SERIES IEF AND IEFB

Convenient Access to IEF & IEFB Meter Readings



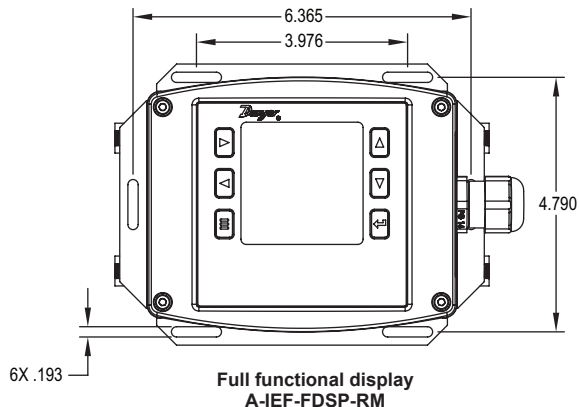
Full functional display
A-IEF-FDSP-RM



Indicator display
A-IEF-IDSP-RM



Shown with IEF-HN-PG and
A-IEF-VLV-BR accessory valve



Full functional display
A-IEF-FDSP-RM

The **Series A-IEF Remote Display** can be installed almost anywhere near a Series IEF flow transmitter or IEFB thermal energy meter. Both the indicator display (A-IEF-IDSP-RM) and the full functional display (A-IEF-FDSP-RM) have a maximum display cable length of 100 ft (30 m) to permit easy viewing of flow readings. The full functional display allows for convenient adjustment of configuration settings and allows the user to save the IEF or IEFB configuration settings to a computer for printing.

FEATURES/BENEFITS

- Full functional display can be used to set up the IEF/IEFB and adjust the settings if it is installed in a hard-to-reach location.
- Indicator display makes it convenient to read process values if the meter is inaccessible.
- Varying cable lengths of up to 100 ft (30 m) allows for flexible installation on a wall or pipe mount.
- Easy to install and wire in the field.

APPLICATIONS

- Mechanical rooms with a small footprint
- Hard-to-reach piping
- Boilers and chillers
- Chilled water
- Condenser water
- Make-up water
- Heating water
- Boiler feed water
- Steam condensate

SPECIFICATIONS

Temperature Limits: Ambient: -4 to 158°F (-20 to 70°C); Storage: -40 to 185°F (-40 to 85°C).
Display: 3.3" diagonal graphic LCD. Backlight (full functional display only).
Enclosure Material Housing: Powder coated die cast aluminum.
Enclosure Rating: NEMA 4X (IP66).
Electrical Connection: Removable terminal blocks, #22 AWG (100 ft (30 m) max).
Mounting: Wall or pipe mount.
Mounting Orientation: Any orientation.
Weight: 2.46 lbs (1.12kg).

MODEL CHART

| Model | Description |
|---------------|---|
| A-IEF-IDSP-RM | A-IEF-DSP-RM indicator remote display |
| A-IEF-FDSP-RM | A-IEF-DSP-RM full functional remote display |

ACCESSORIES

| Model | Description |
|--------------|-----------------------------------|
| A-IEF-CBL-50 | Plenum rated cable 50 ft (15.2 m) |

Modbus® is a registered trademark of Schneider Automation, Inc.