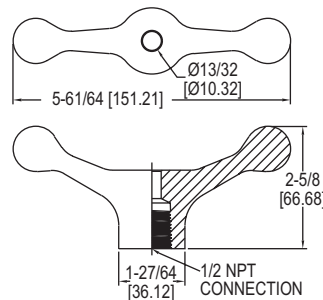
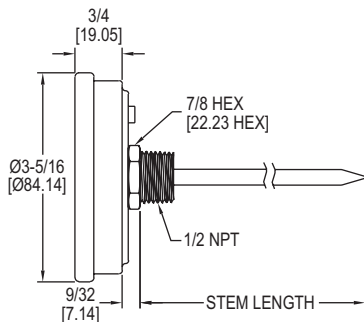


SERIES BTLRN

LONG REACH BIMETAL THERMOMETER

Extra-long Stems Reach Remote Areas, Gripping Handle Available



The **Series BTLRN Long Reach Bimetal Thermometer** reaches areas that other thermometers can't. A gripping handle is available as an accessory to comfortably hold the thermometer during temporary installations.

FEATURES/BENEFITS

- Stem lengths from 12" to 72"

APPLICATIONS

- Large container monitoring
- Duct temperature measurement

MODEL CHART			
Model	Stem Length	Range*	Price
BTLRN312101	12"	0 to 200°F	\$41.25
BTLRN318101	18"	0 to 200°F	52.00
BTLRN324101	24"	0 to 200°F	62.00
BTLRN336101	36"	0 to 200°F	82.50
BTLRN348101	48"	0 to 200°F	114.00
BTLRN360101	60"	0 to 200°F	134.00
BTLRN372101	72"	0 to 200°F	155.00

*Dual scale units available by changing last digit to D.

Example: BTLRN31210D

SPECIFICATIONS

Wetted Materials: 304 SS.

Housing Materials: Series 300 SS.

Lens: Glass.

Accuracy: ±1%.

Temperature Limits: Ambient: -40 to 392°F (-40 to 200°C).

Dial Size: 3".

Process Connection: 1/2" NPT.

Resolution: 2°F (1°C).

Weight: 1.0 lb (0.45 kg).

ACCESSORIES

Model	Description	Price
BTLR-GH	Gripping handle	\$46.50 (N)

(N) Items are net priced and are not subject to any discount.