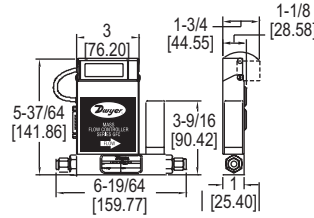


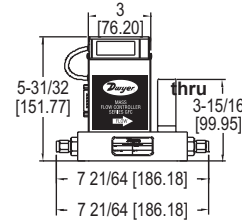
GAS MASS FLOW CONTROLLERS

Flow Range Up to 1000 L/min, Pressures Up to 500 psi, NIST Traceable

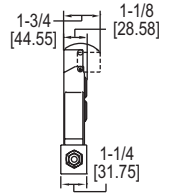
CALIBRATION SERVICES AVAILABLE



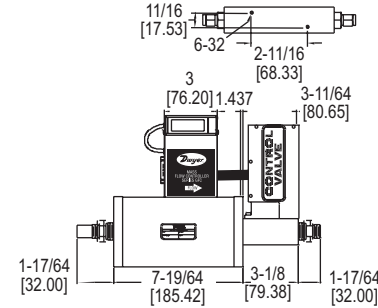
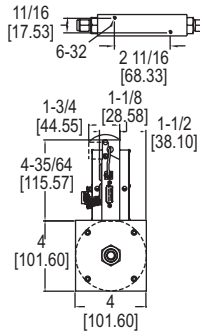
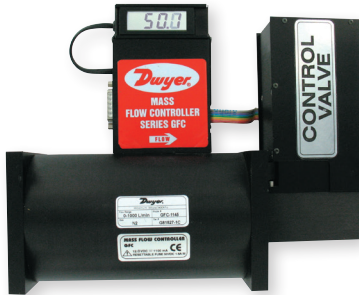
Model GFC-1101 thru GFC-1111
& GFC-2101 thru GFC-2111



Model GFC-1130 thru GFC-1133
& GFC-2130 thru GFC-2133



Model GFC-1140 thru
GFC-1142 & GFC-2140
thru GFC-2142



Model GFC-1143 thru GFC-1145
& GFC-2143 thru GFC-2145

The Series GFC Gas Mass Flow Controllers combine a straight tube sensor with a restrictor flow element. It is available for flow ranges up to 1000 L/min and offered in aluminum or 316 SS in 1/4", 3/8", 1/2" and 3/4" sizes.

FEATURES/BENEFITS

- Provides high accuracy and repeatability
- Flow rates are virtually unaffected by temperature and pressure variations
- Utilizes an electromagnetic valve and PID electronics to maintain continuous control by comparing measured sensor signal set to flow rates
- Set points can be adjusted with local potentiometers or remotely via 0 to 5 VDC or 4 to 20 mA analog signal
- Actual gas flow is displayed in engineering units on a 3-1/2 digit, 90° tiltable LCD readout
- Can be used with Series GFT2 Flow Totalizer for applications requiring totalization
- NIST traceable certificate included

APPLICATIONS

- Gas flow measurement
- Gas flow control
- Operating pumps and valves
- Process equipment
- Vacuum processes
- Glass and metal coating
- Film deposition

SPECIFICATIONS

Service: Clean gases compatible with wetted parts.
Wetted Materials: GFC-1XXX: Anodized aluminum, brass, 316 SS and fluoroelastomer O-rings; GFC-2XXX: 316 SS and fluoroelastomer O-rings.
Accuracy: ±1% FS including linearity over 59 to 77°F (5 to 25°C) and 5 to 60 psia (0.34 to 4 bar); Series GFC X143, X144, X145, ±1.5% FS.
Repeatability: ±0.25% FS.
Response Time: 2 s to within ±2% of actual flow.
Output: Linear 0-5 VDC and 4-20 mA.
Max. Particulate Size: 5 microns.
Temperature Limits: 32 to 122°F (0 to 50°C).
Power Supply: ±12 VDC.
Process Connections: 1/4" compression fitting for flow rates ≤50 L/m; 3/8" for 100 and 200 L/m; 1/2" for 500 L/min; 3/4" for 1000 L/min.
Pressure Limits: 1000 psig (68.9 bar); Series GFC-X143, X144, X145, 500 psig (34.5 bar).
Leak Integrity: 1 x 10⁻⁹ sccs of He.
Display: 90° tiltable, 3-1/2 digit.
Agency Approvals: CE.

Mass Flowmeters/
Controllers

MODEL CHART					
Aluminum Model	Price	SS Model	Price	Flow Range	Process Connector Compression Fitting
GFC-1101*	\$1131.00 (N)	GFC-2101*	\$1242.00 (N)	0 to 10 mL/m	1/4"
GFC-1102*	1131.00 (N)	GFC-2102*	1242.00 (N)	0 to 20 mL/m	1/4"
GFC-1103*	1131.00 (N)	GFC-2103*	1242.00 (N)	0 to 50 mL/m	1/4"
GFC-1104*	1131.00 (N)	GFC-2104*	1242.00 (N)	0 to 100 mL/m	1/4"
GFC-1105*	1131.00 (N)	GFC-2105*	1242.00 (N)	0 to 200 mL/m	1/4"
GFC-1106*	1131.00 (N)	GFC-2106*	1242.00 (N)	0 to 500 mL/m	1/4"
GFC-1107*	1131.00 (N)	GFC-2107*	1242.00 (N)	0 to 1000 mL/m	1/4"
GFC-1108*	1131.00 (N)	GFC-2108*	1242.00 (N)	0 to 2 L/min	1/4"
GFC-1109*	1131.00 (N)	GFC-2109*	1242.00 (N)	0 to 5 L/min	1/4"
GFC-1111*	1342.00 (N)	GFC-2111*	1473.00 (N)	0 to 15 L/min	1/4"
GFC-1131*	1342.00 (N)	GFC-2131*	1473.00 (N)	0 to 30 L/min	1/4"
GFC-1133*	1342.00 (N)	GFC-2133*	1473.00 (N)	0 to 50 L/min	1/4"
GFC-1142*	1551.00 (N)	GFC-2142*	1804.00 (N)	0 to 100 L/min	3/8"
GFC-1143*	2058.00 (N)	GFC-2143*	2294.00 (N)	0 to 200 L/min	3/8"
GFC-1144*	2378.00 (N)	GFC-2144*	2772.00 (N)	0 to 500 L/min	1/2"
GFC-1145*	3027.00 (N)	GFC-2145*	3527.00 (N)	0 to 1000 L/min	3/4"

*Specified flow ranges are for an equivalent flow of nitrogen at 70°F (21°C) @ 760 mm Hg

(N) Items are net priced and are not subject to any discount.

ACCESSORIES		
Model	Description	Price
GFC-110P	110 V power supply	\$88.50 (B)
GFC-220PE	220 V power supply	101.00 (B)
GFC-CBL1	8' cable with 15-pin connector	67.00 (B)
GFC-CBL3	3' extension cable for LCD readout	37.25 (B)

(B) Items are subject to Schedule B discounts.

USA: California Proposition 65

⚠ WARNING: Cancer and Reproductive Harm - www.P65Warnings.ca.gov