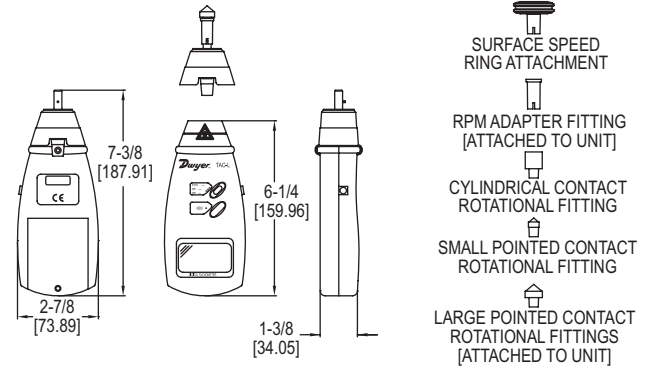


PORTABLE DIGITAL TACHOMETER

Contact or Photo Non-Contact Operation, Backlit LCD



The **Model TAC-L Portable Digital Tachometer** measures rotational speed either by contacting a rotatable head to the shaft of the object or by using a photo sensor to detect the reflections from the laser. The housing is made of a strong, lightweight ABS plastic housing, which is designed to comfortably fit in the hand of the user. Supplied with this model are 3 contact rotational heads, a contact surface wheel, and a protective carrying case.

FEATURES/BENEFITS

- Non-contact operation can record from a distance of up to 20 inches
- Memory function recalls records since last power off
- Large backlit LCD for visibility in dark areas

APPLICATIONS

- HVAC fan motors
- Powder and bulk conveyor belts

SPECIFICATIONS

Range: Non-contact (RPM): 2.5 to 99,999 RPM; Contact (RPM): 0.5 to 19,999 RPM; Surface speed (m/min): 0.05 to 1999.9 m/min.
Accuracy: ±(0.05% + 1 digit).
Display: Backlit LCD; 5 digits, 7 segments, 0.7" (1.8 cm) H.
Resolution: Non-contact (RPM): 0.1 RPM (2.5 to 999.9 RPM), 1 RPM (1000 to 99,999 RPM); Contact (RPM): 0.1 RPM (0.5 to 999.9 RPM), 1 RPM (1000 to 19,999 RPM); Surface speed (m/min): 0.01 m/min (0.05 to 99.99 m/min), 0.1 m/min (100.0 to 1999.9 m/min).
Non-contact Measuring Distance Range: 2 to 20" (5 to 50 cm).
Sampling Time: 0.8 s.
Temperature Limits: 32 to 122°F (0 to 50°C).
Power Requirements: (4) 1.5 V AA alkaline batteries.
Weight: 1.37 lb (.620 kg).

MODEL CHART		
Model	Description	Price
TAC-L	Contact/non-contact digital tachometer	\$86.00

ACCESSORIES		
Model	Description	Price
TAC-5	Reflective tape, 5' (1.5 m) roll, 1/2" (13 mm) wide	\$27.50