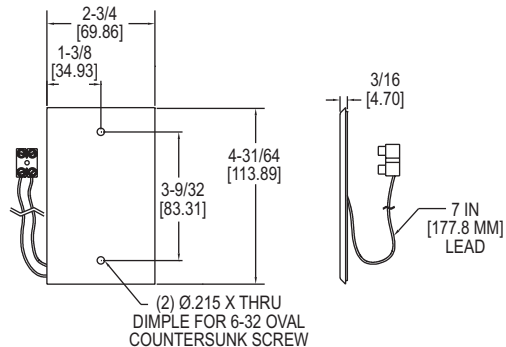


STAINLESS STEEL WALL PLATE TEMPERATURE SENSOR

Screw Terminal Connection, Suitable for Wash Down Applications



The Series TE-WSS Stainless Steel Wall Plate Temperature Sensor measures the ambient air temperature in classrooms and industrial environments.

FEATURES/BENEFITS

- SS flush plate design
- Standard single gang junction box cover plate mounting

APPLICATIONS

- Building automation
- Room temperature monitoring
- Wash down environments

SPECIFICATIONS

Accuracy: Thermistor: $\pm 0.22^{\circ}\text{C}$ @ 25°C ($\pm 0.4^{\circ}\text{F}$ @ 77°F); RTD: DIN Class B $\pm 0.3^{\circ}\text{C}$ @ 0°C .

Temperature Limits: Operating -40 to 140°F (-40 to 60°C).

Sensor Curves: See page reference below.

Housing Material: 304 SS wall plate.

Weight: 2.3 oz (65 g).

MODEL CHART		
Model	Sensor Type	Price
TE-WSS-A	10k Ω type III thermistor	\$9.60
TE-WSS-B	10k Ω type II thermistor	9.60
TE-WSS-C	3k Ω thermistor	9.60
TE-WSS-D	PT100 Ω RTD	11.00
TE-WSS-E	PT1000 Ω RTD	11.00
TE-WSS-F	20k Ω thermistor	9.60

●Resistance vs. Temperature Table: See page 148 (Series TE-OND/RND/OSA)