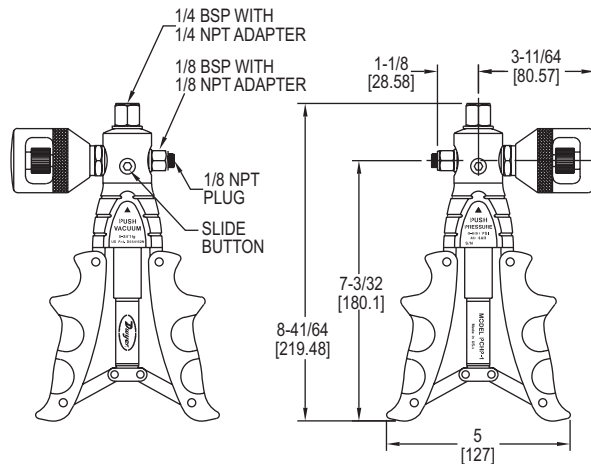


Dwyer

SERIES PCHP

PNEUMATIC CALIBRATION HAND PUMP

Generates up to 600 psi (40 bar), Comfort Grip Handles



The **Series PCHP Pneumatic Calibration Hand Pump** sources pressure and vacuum to check calibration of gages, switches, transmitters, and recorders. The contoured cushion handles provide extra comfort while preventing the pump from sliding.

FEATURES/BENEFITS

- Oversized check valve maintain smooth operation
- Dual O-rings on pistons ensure no leaks

APPLICATIONS

- Instrument calibration
- Laboratories
- Production areas

MODEL CHART

Model	Description
PCHP-1	Pneumatic calibration hand pump
PCHP-1K	Pneumatic calibration hand pump with hose kit

SPECIFICATIONS

Output Ranges: -28 in Hg to 600 psi (-0.945 to 40 bar).

Process Connection: 1/4" NPT/BSP.

Gage Connection: 1/8" NPT/BSP.

Materials: SS fittings, anodized aluminum housing, plastic/rubber handles, and nitrile O-rings.

Weight: 2 lb (0.91 kg).

ACCESSORIES

Model	Description
PCHP-HK	High pressure hose