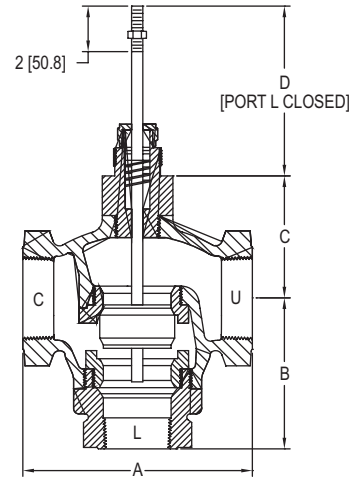
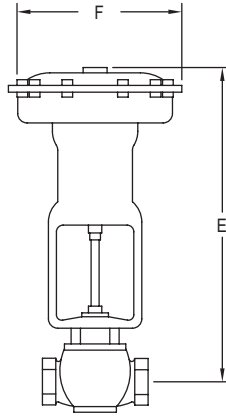




HI-FLOW™ CONTROL VALVES

3-Way Standard Products for Mixing or Diverting



DIMENSIONS			
Pipe Size	B in [mm]	C in [mm]	D in [mm]
1/2"	2-9/16 [65.1]	2-3/16 [55.6]	4-1/8 [104.8]
3/4"	2-9/16 [65.1]	2-3/16 [55.6]	4-1/8 [104.8]
1"	3 [76.2]	2-7/16 [61.9]	4 [101.6]
1-1/4"	3-3/16 [81.0]	2-1/2 [63.5]	3-3/4 [95.3]
1-1/2"	3-3/4 [95.3]	2-3/4 [69.9]	3-11/16 [93.7]
2"	3-15/16 [100.0]	3-3/16 [81.0]	3-11/16 [93.7]

Use the standard models chart to aid in the selection of the most economical Hi-Flow™ 3-Way Control Valve for your application. Standard models include: LIN-E-AIRE® Air-To-Lower Actuator (port L opens on loss of air)

Mixing Service

FLOW IN - ports U&L; FLOW OUT - port C
Specify maximum upstream pressures [USP's]: USP_U and USP_L
To determine shutoff pressure: (USP_U - USP_C) + (USP_L - USP_C)

Diverting Service

FLOW IN - port C; FLOW OUT - ports U&L
Specify maximum upstream pressures [USP's]: USP_C; based on standard 3-15 psi [.21-1.0 bar] pneumatic control signal
To determine shutoff pressure: USP_U + USP_C

MODEL CHART - HI-FLOW™ CONTROL VALVES, 3-WAY SIMPLIFIED SELECTION GUIDE WITH STANDARD PRODUCTS

Pipe Size	Cv 100%	Body Material	Model	Price	USP [S] psi [bar]	E in [mm]	F in [mm]
1/2"	6.45	Bronze	3000WA32-220	\$1795.00 [Ⓟ]	250 [17.2]	18-1/16 [458.8]	7-3/4 [196.9]
1/2"	6.45	316SS	3000WA42-220	2611.00 [Ⓟ]	300 [20.7]	18-1/16 [458.8]	7-3/4 [196.9]
3/4"	10.75	Bronze	3001WA32-220	1967.00 [Ⓟ]	250 [17.2]	18-1/16 [458.8]	7-3/4 [196.9]
3/4"	10.75	316SS	3001WA42-220	2909.00 [Ⓟ]	300 [20.7]	18-1/16 [458.8]	7-3/4 [196.9]
1"	17.42	Bronze	3002WA32-220	2132.00 [Ⓟ]	200 [13.8]	18-5/16 [465.1]	7-3/4 [196.9]
1"	17.42	Bronze	3002WA32-221	2264.00 [Ⓟ]	250 [17.2]	19 [482.6]	10-5/8 [269.9]
1"	17.42	316SS	3002WA42-220	3060.00 [Ⓟ]	200 [13.8]	18-5/16 [465.1]	7-3/4 [196.9]
1"	17.42	316SS	3002WA42-221	3192.00 [Ⓟ]	300 [20.7]	19 [482.6]	10-5/8 [269.9]
1-1/4"	25.30	Bronze	3003WA32-220	2375.00 [Ⓟ]	120 [8.4]	18-3/8 [466.7]	7-3/4 [196.9]
1-1/4"	25.30	Bronze	3003WA32-221	2507.00 [Ⓟ]	250 [17.2]	19-1/16 [484.2]	10-5/8 [269.9]
1-1/4"	25.30	316SS	3003WA42-220	3537.00 [Ⓟ]	120 [8.3]	18-3/8 [466.7]	7-3/4 [196.9]
1-1/4"	25.30	316SS	3003WA42-221	3669.00 [Ⓟ]	300 [20.7]	19-1/16 [484.2]	10-5/8 [269.9]
1-1/2"	32.10	Bronze	3004WA32-220	2586.00 [Ⓟ]	80 [5.6]	18-5/8 [473.1]	7-3/4 [196.9]
1-1/2"	32.10	Bronze	3004WA32-221	2718.00 [Ⓟ]	200 [13.8]	19-5/16 [490.5]	10-5/8 [269.9]
1-1/2"	32.10	Bronze	3004WA32-223	3184.00 [Ⓟ]	250 [17.2]	21-3/8 [542.9]	13-3/8 [339.7]
1-1/2"	32.10	316SS	3004WA42-220	3988.00 [Ⓟ]	80 [5.5]	18-5/8 [473.1]	7-3/4 [196.9]
1-1/2"	32.10	316SS	3004WA42-221	4120.00 [Ⓟ]	200 [13.8]	19-5/16 [490.5]	10-5/8 [269.9]
1-1/2"	32.10	316SS	3004WA42-223	4586.00 [Ⓟ]	300 [20.7]	21-3/8 [542.9]	13-3/8 [339.7]
2"	50.30	Bronze	3005WA32-220	3017.00 [Ⓟ]	45 [3.1]	19-1/16 [484.2]	7-3/4 [196.9]
2"	50.30	Bronze	3005WA32-221	3149.00 [Ⓟ]	100 [6.9]	19-3/4 [501.7]	10-5/8 [269.9]
2"	50.30	Bronze	3005WA32-223	3615.00 [Ⓟ]	175 [12.1]	21-13/16 [554.0]	13-3/8 [339.7]
2"	50.30	316SS	3005WA42-220	4565.00 [Ⓟ]	45 [3.1]	19-1/16 [484.2]	7-3/4 [196.9]
2"	50.30	316SS	3005WA42-221	4697.00 [Ⓟ]	100 [6.9]	19-3/4 [501.7]	10-5/8 [269.9]
2"	50.30	316SS	3005WA42-223	5163.00 [Ⓟ]	175 [12.1]	21-12/16 [554.0]	13-3/8 [339.7]

Ⓟ Items are subject to Schedule B discounts.

Caution: Use of an actuator supply gas other than air can create a hazardous environment because a small amount of gas continuously vents to atmosphere.

USA: California Proposition 65
 ⚠ WARNING: Cancer and Reproductive Harm - www.P65Warnings.ca.gov