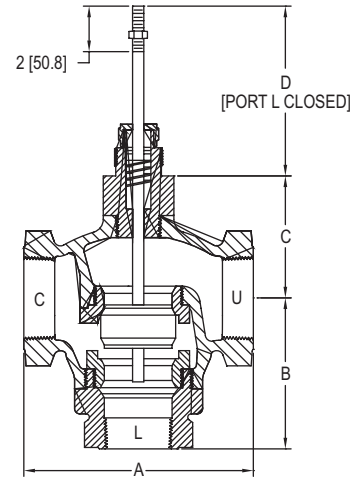
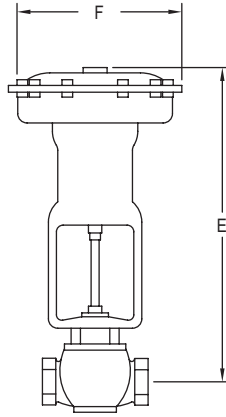


# HI-FLOW™ CONTROL VALVES

## 3-Way Standard Products for Mixing or Diverting



| DIMENSIONS |                 |               |                |
|------------|-----------------|---------------|----------------|
| Pipe Size  | B in [mm]       | C in [mm]     | D in [mm]      |
| 1/2"       | 2-9/16 [65.1]   | 2-3/16 [55.6] | 4-1/8 [104.8]  |
| 3/4"       | 2-9/16 [65.1]   | 2-3/16 [55.6] | 4-1/8 [104.8]  |
| 1"         | 3 [76.2]        | 2-7/16 [61.9] | 4 [101.6]      |
| 1-1/4"     | 3-3/16 [81.0]   | 2-1/2 [63.5]  | 3-3/4 [95.3]   |
| 1-1/2"     | 3-3/4 [95.3]    | 2-3/4 [69.9]  | 3-11/16 [93.7] |
| 2"         | 3-15/16 [100.0] | 3-3/16 [81.0] | 3-11/16 [93.7] |

Use the standard models chart to aid in the selection of the most economical Hi-Flow™ 3-Way Control Valve for your application. Standard models include: LIN-E-AIRE® Air-To-Lower Actuator (port L opens on loss of air)

### Mixing Service

FLOW IN - ports U&L; FLOW OUT - port C

Specify maximum upstream pressures [USP's]: USP<sub>U</sub> and USP<sub>L</sub>

To determine shutoff pressure: (USP<sub>U</sub> - USP<sub>C</sub>) + (USP<sub>L</sub> - USP<sub>C</sub>)

### Diverting Service

FLOW IN - port C; FLOW OUT - ports U&L

Specify maximum upstream pressures [USP's]: USP<sub>C</sub>; based on standard 3-15 psi [.21-1.0 bar] pneumatic control signal

To determine shutoff pressure: USP<sub>U</sub> + USP<sub>C</sub>

### MODEL CHART - HI-FLOW™ CONTROL VALVES, 3-WAY SIMPLIFIED SELECTION GUIDE WITH STANDARD PRODUCTS

| Pipe Size | Cv 100% | Body Material | Model        | USP [S] psi [bar] | E in [mm]        | F in [mm]      |
|-----------|---------|---------------|--------------|-------------------|------------------|----------------|
| 1/2"      | 6.45    | Bronze        | 3000WA32-220 | 250 [17.2]        | 18-1/16 [458.8]  | 7-3/4 [196.9]  |
| 1/2"      | 6.45    | 316SS         | 3000WA42-220 | 300 [20.7]        | 18-1/16 [458.8]  | 7-3/4 [196.9]  |
| 3/4"      | 10.75   | Bronze        | 3001WA32-220 | 250 [17.2]        | 18-1/16 [458.8]  | 7-3/4 [196.9]  |
| 3/4"      | 10.75   | 316SS         | 3001WA42-220 | 300 [20.7]        | 18-1/16 [458.8]  | 7-3/4 [196.9]  |
| 1"        | 17.42   | Bronze        | 3002WA32-220 | 200 [13.8]        | 18-5/16 [465.1]  | 7-3/4 [196.9]  |
| 1"        | 17.42   | Bronze        | 3002WA32-221 | 250 [17.2]        | 19 [482.6]       | 10-5/8 [269.9] |
| 1"        | 17.42   | 316SS         | 3002WA42-220 | 200 [13.8]        | 18-5/16 [465.1]  | 7-3/4 [196.9]  |
| 1"        | 17.42   | 316SS         | 3002WA42-221 | 300 [20.7]        | 19 [482.6]       | 10-5/8 [269.9] |
| 1-1/4"    | 25.30   | Bronze        | 3003WA32-220 | 120 [8.4]         | 18-3/8 [466.7]   | 7-3/4 [196.9]  |
| 1-1/4"    | 25.30   | Bronze        | 3003WA32-221 | 250 [17.2]        | 19-1/16 [484.2]  | 10-5/8 [269.9] |
| 1-1/4"    | 25.30   | 316SS         | 3003WA42-220 | 120 [8.3]         | 18-3/8 [466.7]   | 7-3/4 [196.9]  |
| 1-1/4"    | 25.30   | 316SS         | 3003WA42-221 | 300 [20.7]        | 19-1/16 [484.2]  | 10-5/8 [269.9] |
| 1-1/2"    | 32.10   | Bronze        | 3004WA32-220 | 80 [5.6]          | 18-5/8 [473.1]   | 7-3/4 [196.9]  |
| 1-1/2"    | 32.10   | Bronze        | 3004WA32-221 | 200 [13.8]        | 19-5/16 [490.5]  | 10-5/8 [269.9] |
| 1-1/2"    | 32.10   | Bronze        | 3004WA32-223 | 250 [17.2]        | 21-3/8 [542.9]   | 13-3/8 [339.7] |
| 1-1/2"    | 32.10   | 316SS         | 3004WA42-220 | 80 [5.5]          | 18-5/8 [473.1]   | 7-3/4 [196.9]  |
| 1-1/2"    | 32.10   | 316SS         | 3004WA42-221 | 200 [13.8]        | 19-5/16 [490.5]  | 10-5/8 [269.9] |
| 1-1/2"    | 32.10   | 316SS         | 3004WA42-223 | 300 [20.7]        | 21-3/8 [542.9]   | 13-3/8 [339.7] |
| 2"        | 50.30   | Bronze        | 3005WA32-220 | 45 [3.1]          | 19-1/16 [484.2]  | 7-3/4 [196.9]  |
| 2"        | 50.30   | Bronze        | 3005WA32-221 | 100 [6.9]         | 19-3/4 [501.7]   | 10-5/8 [269.9] |
| 2"        | 50.30   | Bronze        | 3005WA32-223 | 175 [12.1]        | 21-13/16 [554.0] | 13-3/8 [339.7] |
| 2"        | 50.30   | 316SS         | 3005WA42-220 | 45 [3.1]          | 19-1/16 [484.2]  | 7-3/4 [196.9]  |
| 2"        | 50.30   | 316SS         | 3005WA42-221 | 100 [6.9]         | 19-3/4 [501.7]   | 10-5/8 [269.9] |
| 2"        | 50.30   | 316SS         | 3005WA42-223 | 175 [12.1]        | 21-12/16 [554.0] | 13-3/8 [339.7] |

**Caution:** Use of an actuator supply gas other than air can create a hazardous environment because a small amount of gas continuously vents to atmosphere.

USA: California Proposition 65

⚠ WARNING: Cancer and Reproductive Harm - www.P65Warnings.ca.gov