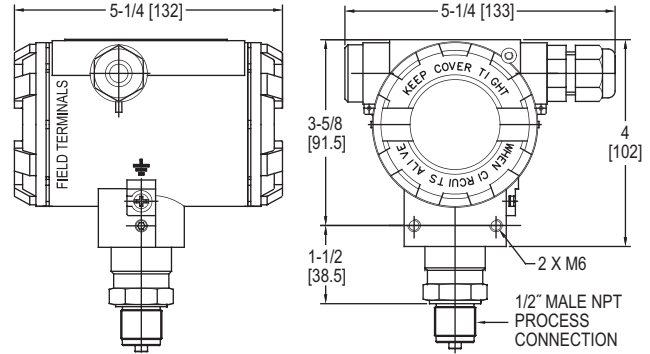


SMART PRESSURE TRANSMITTER

HART® Communication, Push-Button Configuration, Rangeability (Up to 100:1)

CALIBRATION SERVICES AVAILABLE



The **Series 3400 Smart Pressure Transmitter** is a microprocessor-based high performance transmitter, which has flexible pressure calibration, push-button configuration, and is programmable using HART® Communication. The Series 3400 is capable of being configured with the zero and span buttons (a field calibrator is not required for configuration). The transmitter software compensates for thermal effects, improving performance. EEPROM stores configuration settings and stores sensor correction coefficients in the event of shutdowns or power loss. The Series 3400 can be configured to be ATEX or IECEx approved for use in hazardous (classified) locations. The rangeability allows the smart transmitter to be configured to fit most applications.

FEATURES/BENEFITS

- High accuracy ($\pm 0.075\%$ FS)
- Rangeability (up to 100:1)
- Configurable using zero/span buttons (no calibrator required)
- Fail-mode process function
- Automatic ambient temperature compensation

APPLICATIONS

- Water and wastewater
- Chemical and petrochemical
- Pulp and paper
- Oil and gas
- Food and beverage

SPECIFICATIONS

Service: Compatible gases, steam, liquids or vapors.
Wetted Materials: 316L SS.
Accuracy: $\pm 0.075\%$ FS (@ 20°C).
Rangeability: Up to 100:1 turn down.
Stability: $\leq 0.075\%$ FSO/3 years.
Temperature Limits: Ambient: -40 to 185°F (-40 to 85°C); Process with -DS: -40 to 400°F (-40 to 204°C).
Thermal Effect: $< \pm 0.05\%$ span/10°C.
Power Requirements: 10 to 55 VDC.
Output Signal: 4 to 20 mA.
Response Time: 16 to 480 ms (programmable).
Damping Time: 0 to 60 s.
Electrical Connection: Packing gland M20x1.5, two 1/2" female NPT conduit, screw terminal.
Process Connections: 1/2" female or male NPT.
Enclosure Rating: NEMA 4X IP66/IP67.
Agency Approvals: CE.

MODEL CHART				
Model	Range	Min. Set Range	Overpressure limit	Price
3400-AL-10-NM-2	0 to 15 psi	1.45 psi	30 psi	\$1600.00 [ⓑ]
3400-AL-13-NM-2	0 to 100 psi	1.45 psi	200 psi	1600.00 [ⓑ]
3400-AL-15-NM-2	0 to 350 psi	3.6 psi	725 psi	1600.00 [ⓑ]
3400-AL-20-NM-2	0 to 2300 psi	14.5 psi	6525 psi	1650.00 [ⓑ]
3400-AL-23-NM-2	0 to 4350 psi	43.5 psi	6525 psi	1650.00 [ⓑ]
Note: Bar ranges are also available.				
[ⓑ] Items are subject to Schedule B discounts				

SMART PRESSURE TRANSMITTER

HART® Communication, Push-Button Configuration, Rangeability (Up to 100:1)

CALIBRATION SERVICES AVAILABLE

MODEL CHART													
Example	3400	-AL	-01	-DS	-1	-SPD	A	0	-1	-NIST	3400-AL-01-DS-1-SPDA0-1-NIST	Price	
Series	3400										Single pressure smart transmitter	\$1600.00	
Housing		AL									Aluminum housing	-	
		AS									Stainless steel housing	+167.00	
Range			01								0 to 18 psia	-	
			03								0 to 100 psia	-	
			05								0 to 350 psia	-	
			07								0 to 1000 psia	-	
			10								0 to 15 psi	-	
			11								0 to 30 psi	-	
			13								0 to 100 psi	-	
			15								0 to 350 psi	-	
			17								0 to 1000 psi	+50.00	
			20								0 to 2300 psi	+50.00	
			23								0 to 4350 psi	+50.00	
		26								0 to 8700 psi	+50.00		
		29								0 to 14500 psi	+50.00		
Process Connections				NM							1/2" male NPT	-	
				NF							1/2" female NPT	+50.00	
				DS							Diaphragm seal selection	-	
Electrical Connections					1						Packing gland M20x1.5	-	
					2						Thread 1/2" female NPT	-	
Diaphragm Seal Type						SPD					S-P flush diaphragm seal direct mount	-	
						SPR					S-PK flush diaphragm seal capillary mount	+105.00	
						STD					S-T extended diaphragm seal direct mount	-	
						STR					S-TK extended diaphragm seal capillary mount	+105.00	
Mounting Flange							A				2" ANSI	+440.00	
							B				2" DN50	+440.00	
							C				3" ANSI	+612.00	
							D				3" DN80	+612.00	
Extension Length								0			No extension, flush mount	2" Flange -	3" Flange -
								2			2" (50 mm)	+508.00	+732.00
								4			4" (100 mm)	+568.00	+832.00
								6			6" (150 mm)	+612.00	+832.00
Capillary Length								#			Capillary length, 1 to 20 ft (increments of 1)	+50.00/ft	
Options									FP		ATEX/IECEX flameproof	+85.00	
									IS		ATEX/IECEX intrinsically safe	+155.00	
									MT		Stainless steel tag plate mounted on wire	+10.00	
									NIST		NIST traceable calibration certificate	+139.00 ^(N)	
									GM		2" galvanized steel mounting bracket	+55.00	
									SM		2" SS mounting bracket	+80.00	
								ST		Stainless steel plate riveted to the housing	+25.00		

^(N) Items are net priced and are not subject to any discount.

ACCESSORIES		
Model	Description	Price
A-630	Stainless steel angle type bracket with SS bolts	\$89.00 ^(B)
A-631	Stainless steel flat type bracket with SS bolts	89.00 ^(B)
BBV-0N	2-valve block manifold	94.00
DevCom2000	HART® communication protocol software	1500.00 ^(B)

^(B) Items are subject to Schedule B discounts.