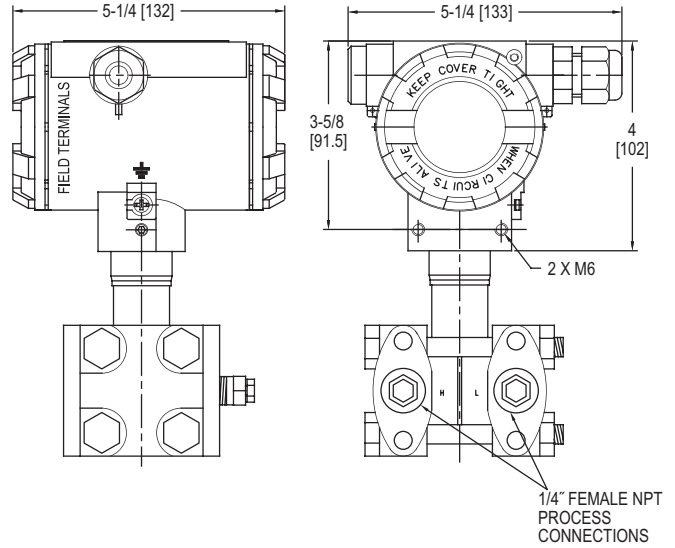


SMART DIFFERENTIAL PRESSURE TRANSMITTER

HART® Communication, Push Button Configuration, Rangeability (Up to 25:1)

CALIBRATION SERVICES AVAILABLE



The **Series 3500 Smart Differential Pressure Transmitter** is a microprocessor-based high performance transmitter, which has flexible pressure calibration, push button configuration, and is programmable using HART® Communication. The Series 3500 is capable of being configured for differential pressure or level applications with the zero and span buttons. A field calibrator is not required for configuration. The transmitter software compensates for thermal effects, improving performance. EEPROM stores configuration settings and stores sensor correction coefficients in the event of shutdowns or power loss. The Series 3500 can be configured to be ATEX or IECEx approved for use in hazardous (classified) locations. The rangeability allows the smart transmitter to be configured to fit any application.

FEATURES/BENEFITS

- High accuracy ($\pm 0.075\%$ FS)
- Rangeability (up to 25:1)
- Configurable using zero/span buttons (no calibrator required)
- Fail-mode process function
- Automatic ambient temperature compensation

APPLICATIONS

- Flow measurement
- Level monitoring
- Filter or pump differential pressure
- Critical process monitoring

MODEL CHART		
Model	Range	Price
3500-AL-02-NF-2	-10 to 10 in w.c.	\$1900.00 ^(B)
3500-AL-04-NF-2	0 to 30 in w.c.	1900.00 ^(B)
3500-AL-08-NF-2	0 to 100 in w.c.	1900.00 ^(B)
3500-AL-10-NF-2	-200 to 200 in w.c.	1900.00 ^(B)
3500-AL-15-NF-2	0 to 1000 in w.c.	1900.00 ^(B)
3500-AL-20-NF-2	0 to 15 psi	1900.00 ^(B)
3500-AL-25-NF-2	0 to 100 psi	1900.00 ^(B)

Note: Bar ranges are also available.
^(B) Items are subject to Schedule B discounts.

SPECIFICATIONS

Service: Compatible gases, steam, liquids or vapors.
Wetted Materials: 316L SS and FPM; with diaphragm seal: 316L SS.
Accuracy: $\pm 0.075\%$ FS (@ 20°C).
Rangeability: Up to 25:1 turn down.
Stability: $\leq 0.075\%$ FSO/3 years.
Temperature Limits: Ambient: -40 to 185°F (-40 to 85°C); Process with -DS: -40 to 400°F (-40 to 204°C).
Thermal Effect: $< \pm 0.05\%$ span/10°C.
Power Requirements: 10 to 55 VDC.
Output Signal: 4 to 20 mA.
Response Time: 16 to 480 ms (programmable).
Damping Time: 0 to 60 seconds.
Electrical Connection: Packing gland M20x1.5, two 1/2" female NPT conduit, screw terminal.
Process Connections: 1/4" female NPT.
Enclosure Rating: NEMA 4X IP66/IP67.
Agency Approvals: CE.

SMART DIFFERENTIAL PRESSURE TRANSMITTER

HART® Communication, Push-Button Configuration, Rangeability (Up to 25:1)

CALIBRATION SERVICES AVAILABLE

MODEL CHART														
Example	3500	-AL	-01	-DS	-1	-SPRB	A	0	-1	-1	-NIST	3500-AL-01-DS-1-SPRBA0-1-1-NIST	Price	
Series	3500											Smart differential pressure smart transmitter	\$1900.00	
Housing		AL										Aluminum housing	-	
		AS										Stainless steel housing	+173.00	
Range			02									-10 to 10 in w.c.	-	
			04									0 to 30 in w.c.	-	
			08									0 to 100 in w.c.	-	
			10									-200 to 200 in w.c.	-	
			15									0 to 1000 in w.c.	-	
			20									0 to 15 psi	-	
			25									0 to 100 psi	-	
			38									0 to 230 psi	-	
			40									0 to 1000 psi	+250.00	
			50									-2.5 to 2.5 in w.c.	+232.00	
		60									-1.5 to 1.5 psi	-		
Process Connections				NF								1/4" female NPT adapter	-	
				DS								Diaphragm seal selection	-	
Electrical Connections					1							Packing gland M20x1.5	-	
					2							Thread 1/2" female NPT	-	
Diaphragm Seal Type						SPDH						S-P flush diaphragm seal direct mount high side	+77.00	
						SPRB						S-PK flush diaphragm seal capillary type both sides	+442.00	
						SPRH						S-PK flush diaphragm seal capillary type high side	+187.00	
						STDH						S-T extended diaphragm seal direct mount high side	+77.00	
						STRB						S-TK extended diaphragm seal capillary type both sides	+442.00	
						STRH						S-TK extended diaphragm seal capillary type high side	+187.00	
Mounting Flange							A					2" ANSI	+440.00	
							B					2" DN50	+440.00	
							C					3" ANSI	+612.00	
							D					3" DN80	+612.00	
Extension Length												No extension, flush mount	2" Flange -	3" Flange -
								0				2" (50 mm)	+508.00	+732.00
								2				4" (100 mm)	+568.00	+832.00
								4				6" (150 mm)	+612.00	+832.00
								6						
Capillary Length High Side								#			High side capillary length, 1 to 20 ft (increments of 1)	+50.00/ft		
Capillary Length Low Side									#		Low side capillary length, 1 to 20 ft (increments of 1)	+50.00/ft		
Options										FP		ATEX/IECEX flameproof	+85.00	
										IS		ATEX/IECEX intrinsically safe	+155.00	
										MT		Stainless steel tag plate mounted on wire	+10.00	
										NIST		NIST traceable calibration certificate	+139.00 ^①	
										GB		2" galvanized steel mounting bracket	+55.00	
										SB		2" SS mounting bracket	+80.00	
										ST		Stainless steel plate riveted to the housing	+25.00	

① Items are net priced and are not subject to any discount.

ACCESSORIES		
Model	Description	Price
A-630	Stainless steel angle type bracket with SS bolts	\$89.00 ^②
A-631	Stainless steel flat type bracket with SS bolts	89.00 ^②
BBV-0N	2-valve block manifold	94.00
DevCom2000	HART® communication protocol software	1500.00 ^②

② Items are subject to Schedule B discounts.