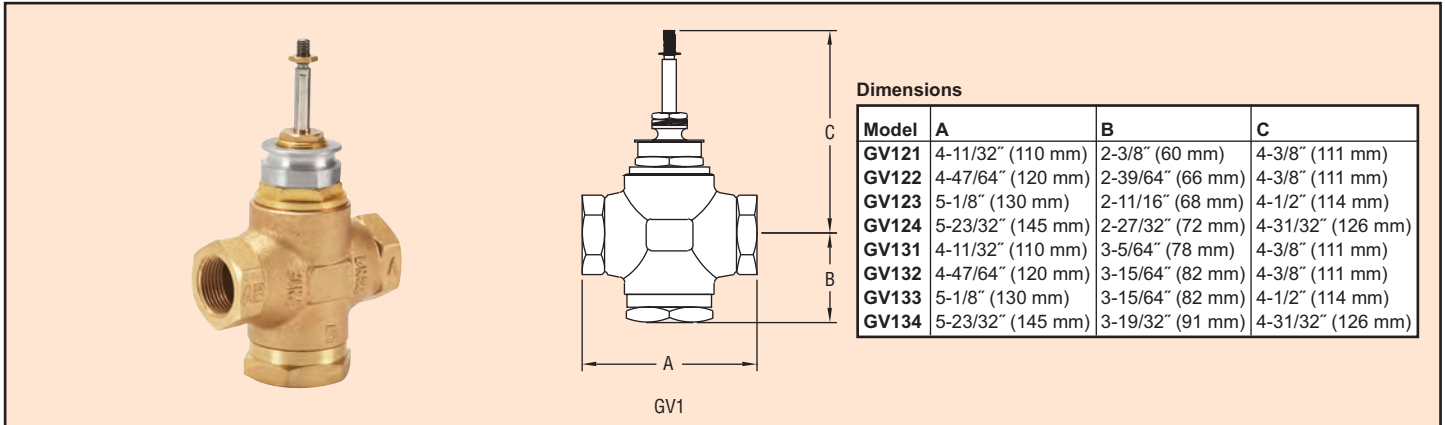




Series  
GV1

# Globe Control Valve

Low Cost, 1" to 2" Sizes, 2-Way or 3-Way



### Dimensions

| Model | A                 | B                | C                 |
|-------|-------------------|------------------|-------------------|
| GV121 | 4-11/32" (110 mm) | 2-3/8" (60 mm)   | 4-3/8" (111 mm)   |
| GV122 | 4-47/64" (120 mm) | 2-39/64" (66 mm) | 4-3/8" (111 mm)   |
| GV123 | 5-1/8" (130 mm)   | 2-11/16" (68 mm) | 4-1/2" (114 mm)   |
| GV124 | 5-23/32" (145 mm) | 2-27/32" (72 mm) | 4-31/32" (126 mm) |
| GV131 | 4-11/32" (110 mm) | 3-5/64" (78 mm)  | 4-3/8" (111 mm)   |
| GV132 | 4-47/64" (120 mm) | 3-15/64" (82 mm) | 4-3/8" (111 mm)   |
| GV133 | 5-1/8" (130 mm)   | 3-15/64" (82 mm) | 4-1/2" (114 mm)   |
| GV134 | 5-23/32" (145 mm) | 3-19/32" (91 mm) | 4-31/32" (126 mm) |

The Series GV1 globe valves can be conveniently paired with the Series EVA1 electric actuators, creating a low cost and compact control valve package. The globe design allows for exceptional throttling control in a wide range of applications, including central heating and air conditioning, water handling, and industrial manufacturing systems. Valves are manufactured in a variety of sizes, and are available in either two-way or three-way body styles. The forged brass body and equal percentage flow characteristic are ideal for many flow control systems.

### FEATURES

- Low leakage rate (less than 0.05% of Cv)
- Equal percentage flow characteristic for excellent low flow control
- Forged brass construction
- Direct mounting actuator (Series EVA1) for compact control valve package

### SPECIFICATIONS

**Service:** Compatible liquids and gases.

**Line Size:** 1" to 2".

**Body Style:** 2-way, push to open globe; 3-way globe.

**End Connections:** Female NPT.

**Pressure Limit:** 232 psi (16 bar).

**Wetted Materials:**

Body material: Brass;

Stem: 302 SS;

Disc: Brass with Nitrile gasket;

Packing: Fluon® filler with Nitrile O-ring.

**Temperature Limits:** 35 to 201°F (2 to 94°C).

**Flow Characteristic:** Equal percentage.

**Flow Leakage:** Less than 0.05% of Cv factor.

**Stem Connection:** M8 thread.

| Model | Type  | Pipe Size | Cv   | Max. Diff. Pres. Fit with EVA1- | Stroke in (mm) | Price                |
|-------|-------|-----------|------|---------------------------------|----------------|----------------------|
| GV121 | 2-Way | 1"        | 9.3  | 87 psi (6 bar)                  | 19/32" (15)    | \$80.50 <sup>ⓑ</sup> |
| GV122 |       | 1-1/4"    | 17.4 | 58 psi (4 bar)                  | 3/4" (19)      | 101.00 <sup>ⓑ</sup>  |
| GV123 |       | 1-1/2"    | 25.5 | 43 psi (3 bar)                  | 3/4" (19)      | 121.00 <sup>ⓑ</sup>  |
| GV124 |       | 2"        | 40.6 | 29 psi (2 bar)                  | 3/4" (19)      | 161.00 <sup>ⓑ</sup>  |
| GV131 | 3-Way | 1"        | 9.3  | 87 psi (6 bar)                  | 19/32" (15)    | 101.00 <sup>ⓑ</sup>  |
| GV132 |       | 1-1/4"    | 17.4 | 58 psi (4 bar)                  | 3/4" (19)      | 121.00 <sup>ⓑ</sup>  |
| GV133 |       | 1-1/2"    | 25.5 | 43 psi (3 bar)                  | 3/4" (19)      | 141.00 <sup>ⓑ</sup>  |
| GV134 |       | 2"        | 40.6 | 29 psi (2 bar)                  | 3/4" (19)      | 181.00 <sup>ⓑ</sup>  |

ⓑ Items are subject to Schedule B discounts.

### APPLICATIONS

- Mixing or diverting services with three way models
- Control water flow in heating or cooling processes
- HVAC zone management

VALVES

Valves, Globe