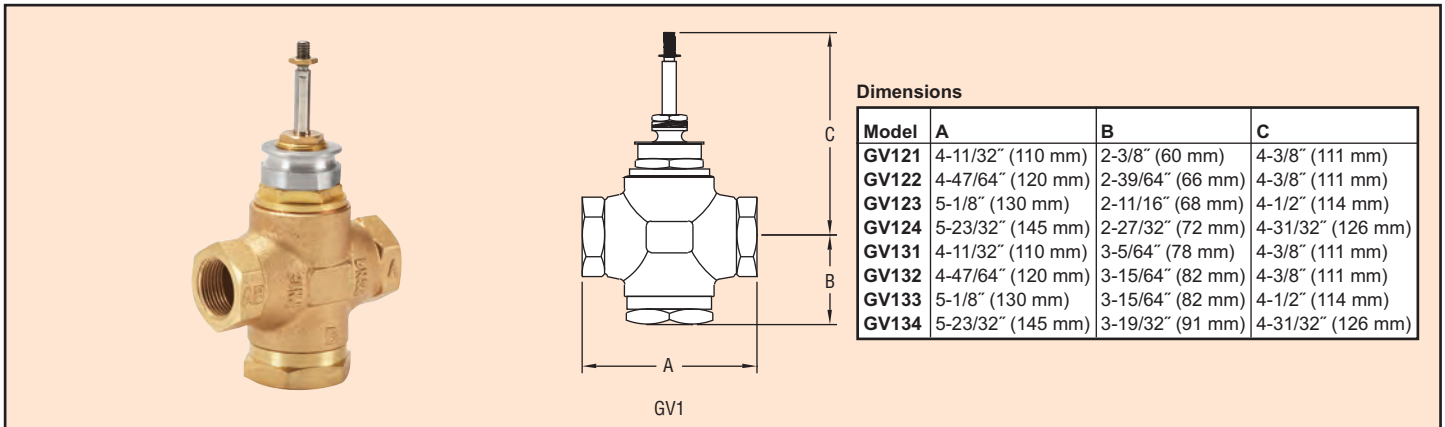




Series  
GV1

# Globe Control Valve

Low Cost, 1" to 2" Sizes, 2-Way or 3-Way



### Dimensions

Model	A	B	C
GV121	4-11/32" (110 mm)	2-3/8" (60 mm)	4-3/8" (111 mm)
GV122	4-47/64" (120 mm)	2-39/64" (66 mm)	4-3/8" (111 mm)
GV123	5-1/8" (130 mm)	2-11/16" (68 mm)	4-1/2" (114 mm)
GV124	5-23/32" (145 mm)	2-27/32" (72 mm)	4-31/32" (126 mm)
GV131	4-11/32" (110 mm)	3-5/64" (78 mm)	4-3/8" (111 mm)
GV132	4-47/64" (120 mm)	3-15/64" (82 mm)	4-3/8" (111 mm)
GV133	5-1/8" (130 mm)	3-15/64" (82 mm)	4-1/2" (114 mm)
GV134	5-23/32" (145 mm)	3-19/32" (91 mm)	4-31/32" (126 mm)

The Series GV1 globe valves can be conveniently paired with the Series EVA1 electric actuators, creating a low cost and compact control valve package. The globe design allows for exceptional throttling control in a wide range of applications, including central heating and air conditioning, water handling, and industrial manufacturing systems. Valves are manufactured in a variety of sizes, and are available in either two-way or three-way body styles. The forged brass body and equal percentage flow characteristic are ideal for many flow control systems.

### FEATURES

- Low leakage rate (less than 0.05% of Cv)
- Equal percentage flow characteristic for excellent low flow control
- Forged brass construction
- Direct mounting actuator (Series EVA1) for compact control valve package

### SPECIFICATIONS

**Service:** Compatible liquids and gases.

**Line Size:** 1" to 2".

**Body Style:** 2-way, push to open globe; 3-way globe.

**End Connections:** Female NPT.

**Pressure Limit:** 232 psi (16 bar).

**Wetted Materials:**

Body material: Brass;

Stem: 302 SS;

Disc: Brass with Nitrile gasket;

Packing: Fluon® filler with Nitrile O-ring.

**Temperature Limits:** 35 to 201°F (2 to 94°C).

**Flow Characteristic:** Equal percentage.

**Flow Leakage:** Less than 0.05% of Cv factor.

**Stem Connection:** M8 thread.

Model	Type	Pipe Size	Cv	Max. Diff. Pres.	Stroke in (mm)
				Fit with EVA1-	
GV121	2-Way	1"	9.3	87 psi (6 bar)	19/32" (15)
GV122		1-1/4"	17.4	58 psi (4 bar)	3/4" (19)
GV123		1-1/2"	25.5	43 psi (3 bar)	3/4" (19)
GV124		2"	40.6	29 psi (2 bar)	3/4" (19)
GV131	3-Way	1"	9.3	87 psi (6 bar)	19/32" (15)
GV132		1-1/4"	17.4	58 psi (4 bar)	3/4" (19)
GV133		1-1/2"	25.5	43 psi (3 bar)	3/4" (19)
GV134		2"	40.6	29 psi (2 bar)	3/4" (19)

### APPLICATIONS

- Mixing or diverting services with three way models
- Control water flow in heating or cooling processes
- HVAC zone management