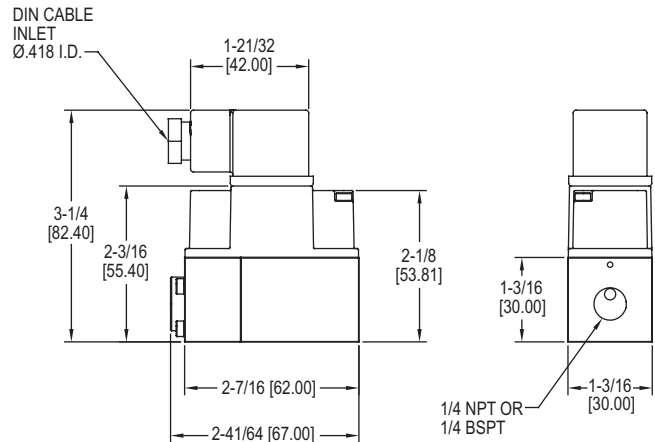
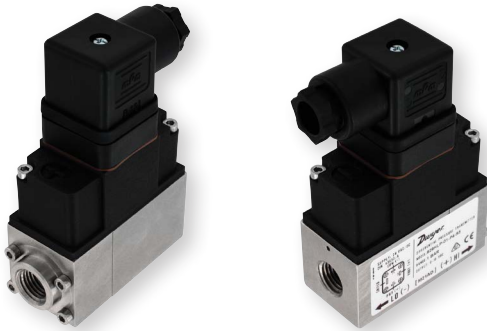


DIFFERENTIAL PRESSURE TRANSMITTERS

High Accuracy, IP65 Enclosure

CALIBRATION SERVICES AVAILABLE



The **Series 629HLP Differential Pressure Transmitters** are suitable for measuring over-pressure, under-pressure, and differential pressure in compatible gases and liquids with 1% accuracy. The 629HLP is suitable for all measuring tasks in commercial, industrial or sanitary applications. Its single sensor design, allows it to measure small increment pressure changes, and converts them to a linear analog output signal from 4 to 20 mA or 0 to 10 VDC.

FEATURES/BENEFITS

- Rugged, versatile, high accuracy device
- For liquid or gas systems requiring precise measurements
- Provide excellent response and reliability
- Suitable for static and dynamic measurements
- Converts pressure changes into 4 to 20 mA or 0 to 10 VDC output
- Compact, lightweight, capable to be installed in any arrangement making installation very simple

APPLICATIONS

- Heat exchangers
- Fan coils/air handlers
- Core testing applications
- Hydraulic systems
- High line pressures/low DP
- Pumps
- Commercial/industrial processes
- Sanitary process

SPECIFICATIONS

Service: Compatible gases or liquids.
Wetted Material: 304 SS.
Housing Material: ABS.
Enclosure Rating: IP65.
Accuracy: ±1% from -5 to 60°C (23 to 140°F).
Stability: ±1% FS/year.
Temperature Limits: Ambient: -10 to 60°C (14 to 122°F); Process: -10 to 80°C (14 to 176°F).
Relative Humidity: 10% to 90% non-condensing.
Installation Position: Not position sensitive.
Pressure Limits: See Pressure Range Limits chart.
Burst Pressure: See Pressure Range Limits chart.
Static Pressure Limits: See Pressure Range Limits chart.
Output Signal: 4 to 20 mA, 0 to 10 VDC.
Response Time: 50 ms.
Rated Supply Voltage: 0 to 10 VDC Output: 12 to 36 VDC or 12 to 32 VAC (@ Max load of 2k Ω) 4 to 20mA output: 8 to 36 VDC.
Max Loop resistance: (Supply Voltage – 8 V) / 0.02 for 4 to 20mA output.
Power Consumption: $V_{out} = 13 \text{ mA max, } I_{out} = 24 \text{ mA max.}$
Electrical Connections: Form A DIN 43650.
Process Connections: 1/4" female NPT, 1/4" female BSPT.
Weight: 1 lb 4 oz (567 g).
Approvals: CE, RCM.

MODEL CHART							
Example	629HLP	-01	-P2	-S1	-FC	629HLP-01-P2-S1-FC	Price
Series	629HLP					Differential pressure transmitter	\$265.00
Range		01				0 to 1 bar	-
		02				0 to 2.5 bar	-
		04				0 to 4 bar	-
		06				0 to 6 bar	-
		15				0 to 15 psi	-
		30				0 to 30 psi	-
		60				0 to 60 psi	-
		90				0 to 90 psi	-
Process Connections			P2			1/4" female NPT	-
			P4			1/4" female BSPT	-
Output Signal				S1		4 to 20 mA	-
				S5		0 to 10 VDC	-
Options					FC	Factory calibration	30.00
					NIST	NIST certificate	139.00⁽¹⁾

Note: PSI ranges available upon request. Contact factory for details.

⁽¹⁾ Items are net priced and are not subject to any discount.

PRESSURE RANGE LIMITS			
Pressure Range	Maximum Static Pressure	*Maximum Differential Over Pressure	**Burst Differential Pressure
0 to 1 bar	25 bar	5 bar	8 bar
0 to 2.5 bar	25 bar	5 bar	8 bar
0 to 4 bar	25 bar	12 bar	18 bar
0 to 6 bar	25 bar	12 bar	18 bar
0 to 15 psi	360 psi	70 psi	115 psi
0 to 30 psi	360 psi	70 psi	115 psi
0 to 60 psi	360 psi	174 psi	260 psi
0 to 90 psi	360 psi	174 psi	260 psi

Note: *The differential pressure limit, between high and low ports, that the transmitter can withstand without affecting transmitter performance
****Differential pressures between high and low ports that exceed overpressure limits will result in permanent diaphragm deformation, and any pressure higher than the burst pressure limits will rupture the diaphragm.**

ACCESSORIES		
Model	Description	Price
A-629HLP-BKT	Mounting bracket kit	\$6.10
BBV-1B	3-Valve block manifold	127.00
A-228	12" SS flex hose	34.75

Differential Pressure Transmitters