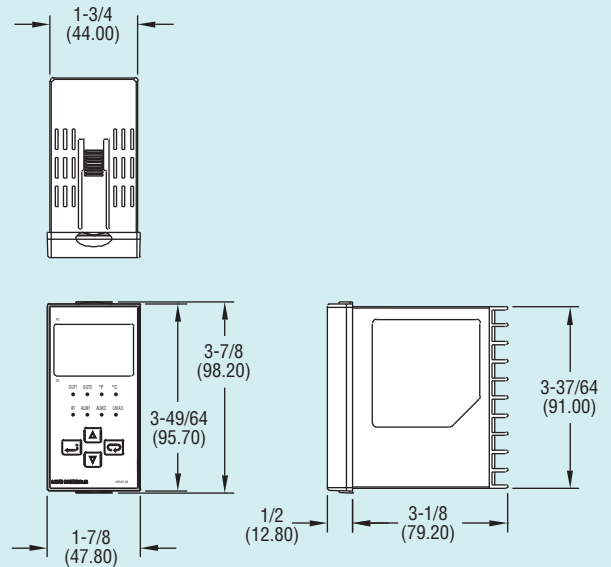




Series
8B

1/8 DIN Temperature/Process Controller

Vertical Mount, Dual Control Output, RS-485 Communication



Temperature

The Series 8B 1/8 DIN Temperature/Process Controller offers versatility and reliability for temperature and process monitoring applications. Designed as a vertical mount 1/8 DIN controller, the Series 8B features dual outputs, universal input, and up to three additional alarm outputs. The second output can be configured as a third alarm output. Select the alarm type from 13 different preprogrammed alarm functions. Control methods include ON/OFF, PID, auto-tune or manual tune. PID control is supported with 64 ramp/soak control actions. RS-485 communication is standard on the Series 8B with up to 247 available addresses.

SPECIFICATIONS

Inputs: Thermocouple, RTD, DC voltages or DC current.

Display: Two 4-digit, 7 segment .38" H (9.53 mm) LED's. PV: red; SV: green.

Accuracy: $\pm 0.25\%$ span, ± 1 least significant digit.

Supply Voltage: 100 to 240 VAC, 50/60 Hz.

Power Consumption: 5 VA max.

Operating Temperature: 32 to 122°F (0 to 50°C).

Memory Backup: Nonvolatile memory.

Control Output Ratings:

Relay: SPST, 5A @ 250 VAC resistive.

Voltage Pulse: 14V, 10% to -20% (max 40 mA).

Current: 4 to 20 mA.

Linear Voltage: 0-10V.

Communication: RS-485 Modbus® communication protocol.

Weight: 15 oz (425 g).

Agency Approvals: CE, UL, cUL.

Front Panel Rating: IP66.

Input Types	Range
Type K T/C	-328 to 2372°F (-200 to 1300°C)
Type J T/C	-148 to 2192°F (-100 to 1200°C)
Type T T/C	-328 to 752°F (-200 to 400°C)
Type E T/C	32 to 1112°F (0 to 600°C)
Type W T/C	-328 to 2372°F (-200 to 1300°C)
Type R T/C	32 to 3092°F (0 to 1700°C)
Type S T/C	32 to 3092°F (0 to 1700°C)
Type B T/C	212 to 3272°F (100 to 1800°C)
Type L T/C	-328 to 1562°F (-200 to 850°C)
Type U T/C	-328 to 932°F (-200 to 500°C)
Pt 100 RTD	-328 to 1112°F (-200 to 600°C)
0-50 mV	-999 to 9999
0-5 V	-999 to 9999
0-10 V	-999 to 9999
0-20 mA*	-999 to 9999
4-20 mA*	-999 to 9999

*Requires 250 Ohm Precision Resistor.

Model	Output 1	Output 2
8B-23	Voltage Pulse	Relay
8B-33	Relay	Relay
8B-53	Current	Relay
8B-63	Linear Voltage	Relay

ACCESSORIES

SCD-SW, Configuration Software

A-277, 250 Ohm Precision Resistor

MN-1, Mini-Node™ USB/RS-485 converter

Modbus® is a registered trademark of Schneider Automation, Inc.