

Dwyer

SERIES A-240/A-250

PERFORATED OR SPIRAL COOLING TOWERS

Protect Instrumentation in High Temperature Applications



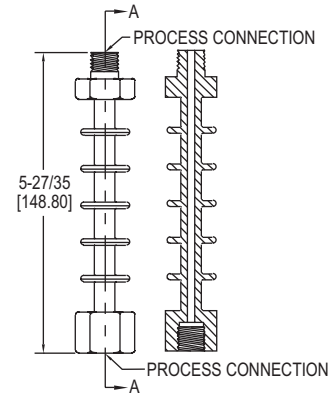
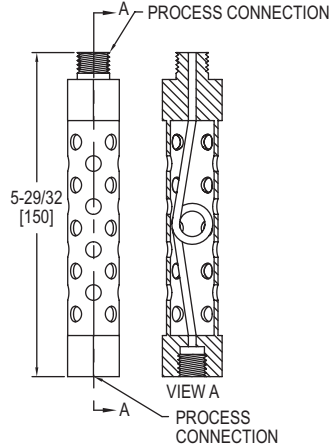
A-240



A-250

CONNECTION CHART

1/4" male/female NPT
 3/8" male/female NPT
 1/2" male/female NPT
 1/4" male/female BSPP
 3/8" male/female BSPP
 1/2" male/female BSPP



The **Series A-240/A-250 Perforated or Spiral Cooling Towers** protect pressure instruments during high temperature applications. Both the spiral and perforated styles are made with 316L SS, and are available with various process connections in NPT or BSPP style. Both Cooling Towers are ideal for use with pressure gages, switches, and transmitters where the process media temperature exceeds the rating of the instrument.

FEATURES/BENEFITS

- Stainless steel construction
- NPT or BSPP connections allowing for easy installation

APPLICATIONS

- HVAC
- Industrial Process

SPECIFICATIONS

Service: Compatible liquids and gases.
Wetted Parts: 316L SS.
Temperature Limits: 428°F (220°C).
Pressure Limits: 5800 psi (400 bar).
Process Connections: See chart.
Height: 6" (150 mm).
Weight: 8 oz (227 g).

MODEL CHART

Model	Style	Connections	Model	Style	Connections
A-240-A	Perforated	1/4" male/female NPT	A-250-A	Spiral	1/4" male/female NPT
A-240-C	Perforated	1/2" male/female NPT	A-250-C	Spiral	1/2" male/female NPT
			A-250-D	Spiral	1/4" male/female BSPP
			A-250-E	Spiral	3/8" male/female BSPP
			A-250-F	Spiral	1/2" male/female BSPP