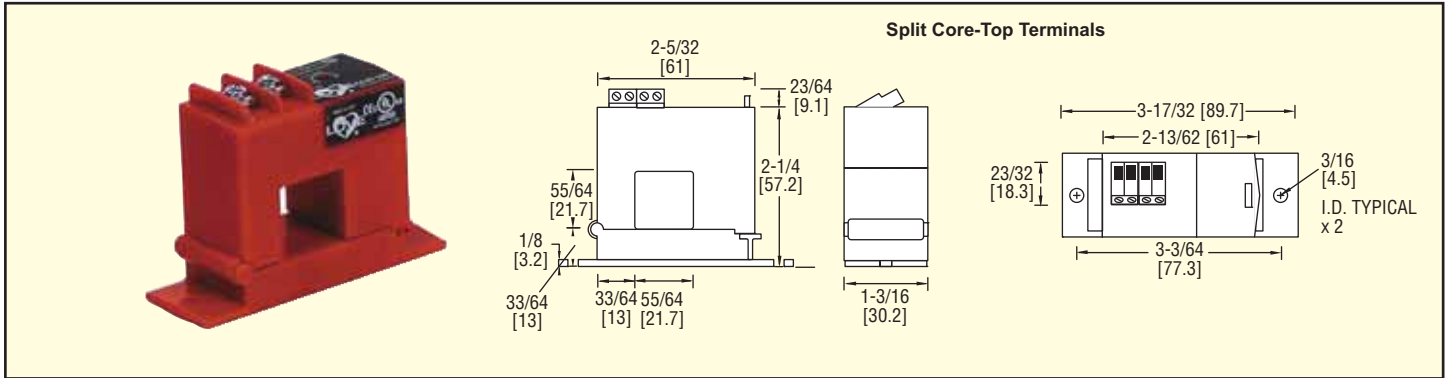




Series
CT40/50

Current Transformer

4-20 mA or 0-5 VDC Output, Split Core Case



Series CT40/50 combine current transformer and signal conditioner into a single package. Transformers feature jumper selectable ranges and split core case. Units are designed for applications on linear or sinusoidal AC loads.

SPECIFICATIONS

Output Signal: 0-5 VDC or 4-20 mA, depending on model.

Power Requirements: See Table.

Accuracy: CT40/50-102: 1.0% FS; CT40/50-100: 0.5% FS.

Temperature Limits: -4 to 122°F (-20 to 50°C).

Response Time: CT40/50-102: 100 ms; CT40/50-100: 300 ms.

Isolation Voltage: 1270 VAC.

Frequency: CT40/50-102: 50-60 Hz; CT40/50-100: 20-100 Hz (Sinusoidal waveforms only).

Enclosure Rating: UL 94V-0 flammability rated.

Agency Approval: CE.

Model	Range	Output	Power Requirements
CT40-100	10/20/50 A	4-20 mA	12-40 VDC, Loop Powered
CT40-102	10/20/50 A	0-5 VDC	Self Powered
CT50-100	100/150/200 A	4-20 mA	12-40 VDC, Loop Powered
CT50-102	100/150/200 A	0-5 VDC	Self Powered