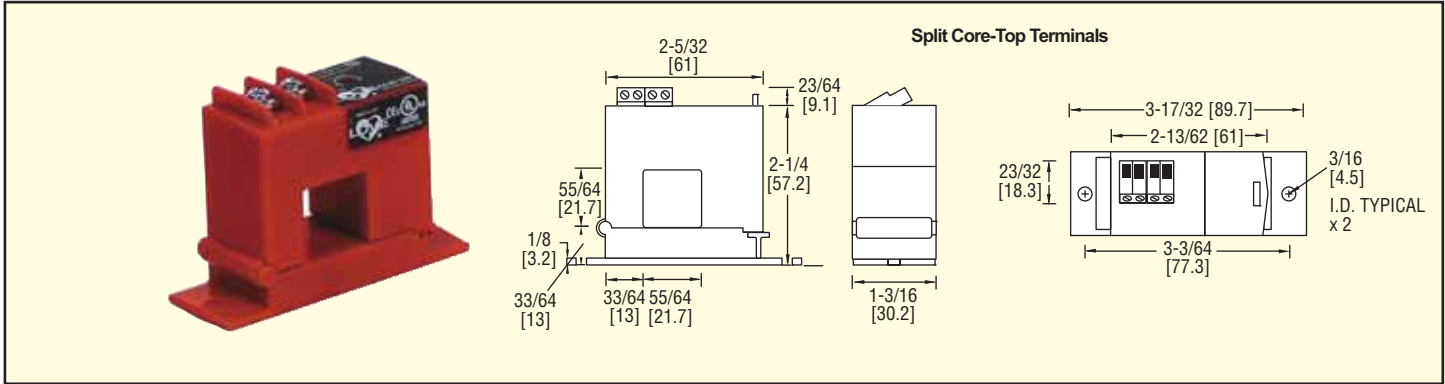




Series
CT60/70

True RMS Current Transformer

Field Selectable Range, Split Core Case



Series CT60/70 Current Transformers provide true RMS output on distorted AC waveforms – ideal for nonlinear loads or noisy environments. Each model offers three jumper selectable ranges and 1270 VAC isolation. Split core case allows easy installation.

Model	Range
CT60-100	10/20/50 A
CT70-100	100/150/200 A

SPECIFICATIONS

Output Signal: 4-20 mA, loop powered, true RMS.

Power Requirements: 24 VDC nominal.

Accuracy: 0.8% FS.

Temperature Limits: -4 to 122°F (-20 to 50°C).

Response Time: 600 ms to 90%.

Isolation Voltage: 1270 VAC.

Frequency: 10-400 Hz.

Enclosure Rating: UL 94V-0 flammability rated.

Agency Approval: CE.