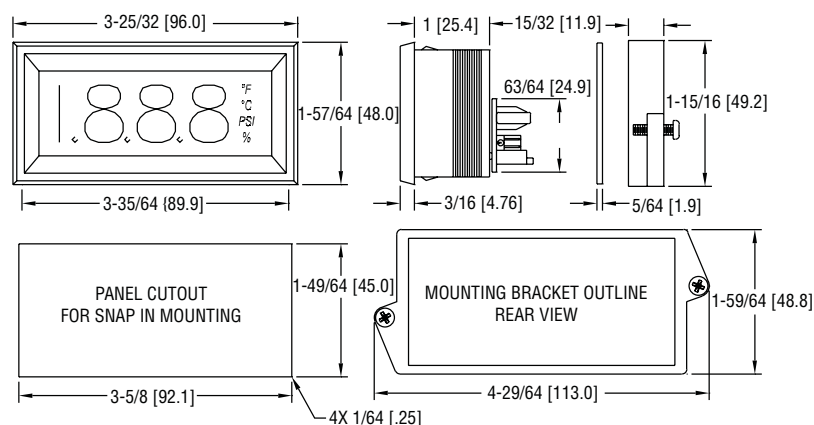




Series DPMA-5 Adjustable LCD Digital Panel Meters

Specifications - Installation and Operating Instructions

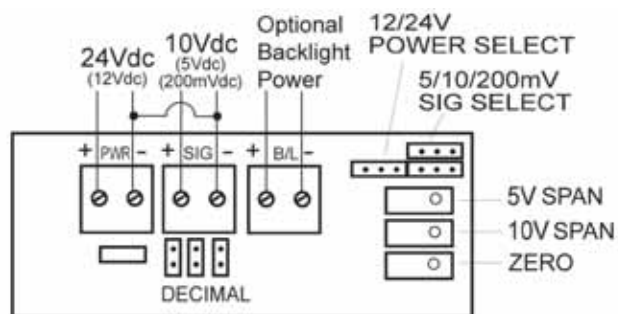


Series DPMA-5 Adjustable Panel Meter offers a large 1 $\frac{1}{2}$ digit display for easy viewing in a standard 1/8 DIN package. Unit accepts voltage inputs with a wide bipolar zero and span adjustment. Standard features include field selectable engineering units and decimal point positions. Choose from red, amber, or green segments for easy viewing at a distance. A separate 24 VDC power supply is required for the operation of the backlight.

INSTALLATION

The Series DPMA-5 is designed to snap into a 3.62" (92 mm) W x 1.77" (45 mm) H panel cutout. No additional hardware is required.

WIRING



Three sets of jumper pins are located on the back of the meter. Move the jumper to fit over the appropriate pins which correspond to the desired signal input voltage, supply voltage and decimal point position. An external 12 or 24 VDC power supply is required to power the meter and should be connected to the screw terminal marked with "+pwr-". Wire the input signal to terminal "+sig-" and put a jumper between "-sig" and "-pwr". The backlighting requires a separate 24 VDC power supply and should be connected to terminals identified with "+B/L-".

SPECIFICATIONS

Input: 0-5 VDC; 0-10 VDC.

Accuracy: $\pm(0.05\% \text{ FS} + 1 \text{ count})$.

Power Supply: 12 or 24 VDC (field selectable).

Current Consumption: 10 mA DC. Backlight: 35 mA.

Span and Zero: Adjustable. (± 1999 counts).

Display: 3-1/2 digits, 7 segments, 1" (25.4 mm) H.

Decimal Points: 3-position, user selectable.

Annunciator: °F, °C, %, PSI.

Polarity: Automatic, "-" displayed.

Operating Temperature: 14 to 122°F (-10 to 50°C).

Storage Temperature: -40 to 167°F (-40 to 75°C).

Mounting: Snap-in panel mount or clamp (gasket included).

Connection: Screw terminals.

Weight: 4 oz (113.4 g).

Conversion Rating: 3 per second.

Warm-up: 10 minutes typical.

OPERATION

Selecting Engineering Units

Four sets of jumper pins are located in the back of the meter, between the meter and the adder board. Move the jumper to fit over the appropriate pins which correspond to the desired engineering units. See Figure 1 Example shows °C turned on.

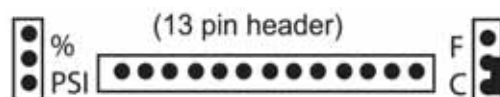


Figure 1

Selecting Decimal Point Position

Four decimal point positions are available on the digital panel meter. Move the jumper to correspond to the desired decimal point location. See Figure 2.

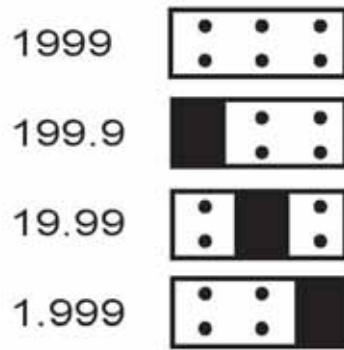


Figure 2

MAINTENANCE

Upon final installation of the Series DPMA-5 Digital Panel Meters, no routine maintenance is required. A periodic check of the system calibration is recommended. The Series DPMA-5 is not field serviceable and should be returned if repair is needed (field repair should not be attempted and may void warranty). Be sure to include a brief description of the problem plus any relevant application notes. Contact customer service to receive a return good authorization number before shipping.