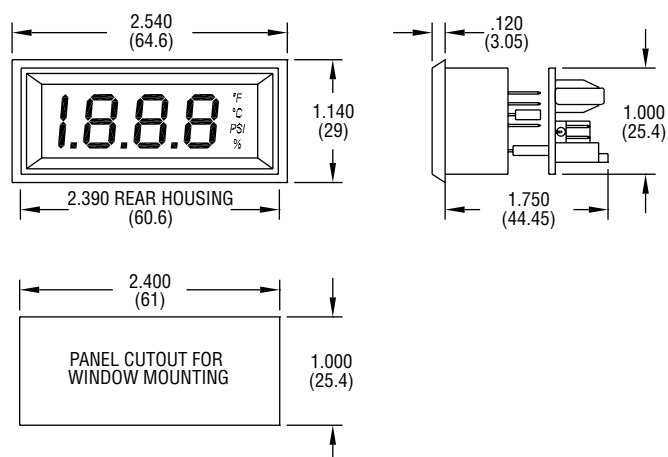




Series DPMP-4 LCD Digital Panel Meters

Specifications - Installation and Operating Instructions



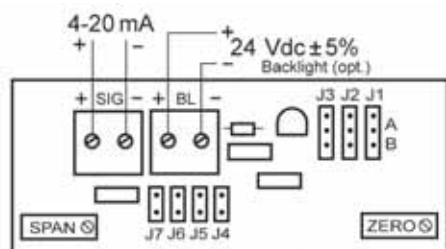
The Series DPMP LCD Digital Panel Meter provides easy viewing on the 3-1/2 digit LCD display. The display segments are available in a choice of amber, red or green. The meter features user-selectable engineering units, adjustable zero and span and field-selectable decimal point position. The snap-in bezel mount eliminates mounting hardware for quick installation. A 24 VDC power supply is required for the operation of the backlight.

INSTALLATION

The Series DPMP is designed for panel mounting in a 2.4" (61 mm) W x 1" (25.4 mm) H panel cutout.

WIRING

The unit is powered by a 4-20 mA loop and the screw terminals for wiring are located on the back of the adder board marked with + SIG -, + BL -. The backlighting requires a 24 VDC power supply and should be connected to terminals identified with + B/L -.



Rear View

Note: If backlight supply is not loop supply, ground should be referenced together.

SPECIFICATIONS

Inputs: 4-20 mA DC.

Input Impedance: 300Ω nominal.

Accuracy: ±(0.1% FS + 2 count).

Backlight Power Supply: 24 VDC @ 35 mA typical.

Span and Zero: Adjustable. (±1999 counts).

Display: 3-1/2 digits, 7 segments, 0.45" (11.4 mm) H.

Decimal Points: 3-position, user selectable.

Annunciator: °F, °C, %, PSI.

Polarity: Automatic, "-" displayed.

Operating Temperature: 32 to 122°F (0 to 50°C).

Storage Temperature: -4 to 158°F (-20 to 70°C).

Mounting: Snap in bezel mount

Connection: Screw terminals.

Weight: 2 oz (56.7 g).

Conversion Rate: 3 per second.

Warm-Up: 10 minutes typical.

OPERATION

Selecting Engineering Units

Four sets of jumper pins are located in the back of the meter, between the meter and the adder board. Move the jumper to fit over the appropriate pins which correspond to the desired engineering units. See Figure 1.

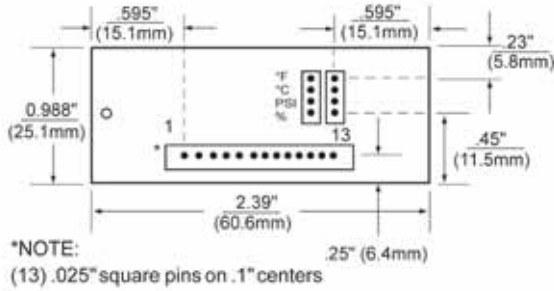


Figure 1

Selecting Decimal Point Position

Four decimal point positions are available on the digital panel meter. Move the jumper to correspond to the desired decimal point location. See Figure 2.

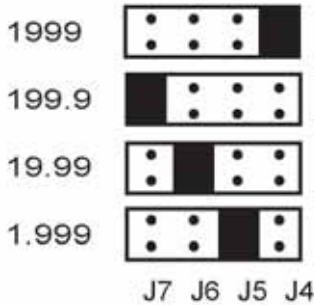


Figure 2

Setting J1, J2, J3 (See Figure 3 & 4):

If:
 Min Display is ≤ 0 **or**
 Min Display is > 0 **and** Max Display/Min Display ≥ 5 ,
Then:
 J1, J2 & J3 should be all set to the top jumper. (See Figure 3).

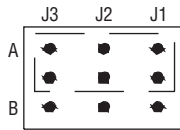


Figure 3

If:
 Min Display is > 0 **and** Max Display/Min Display < 5 ,
Then:
 J1, J2, J3 should be all set to the jumper. (See Figure 4).

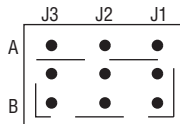


Figure 4

MAINTENANCE

Upon final installation of the Series DPMP LCD Digital Panel Meters, no routine maintenance is required. A periodic check of the system calibration is recommended. The Series DPMP is not field serviceable and should be returned if repair is needed (field repair should not be attempted and may void warranty). Be sure to include a brief description of the problem plus any relevant application notes. Contact customer service to receive a return good authorization number before shipping.