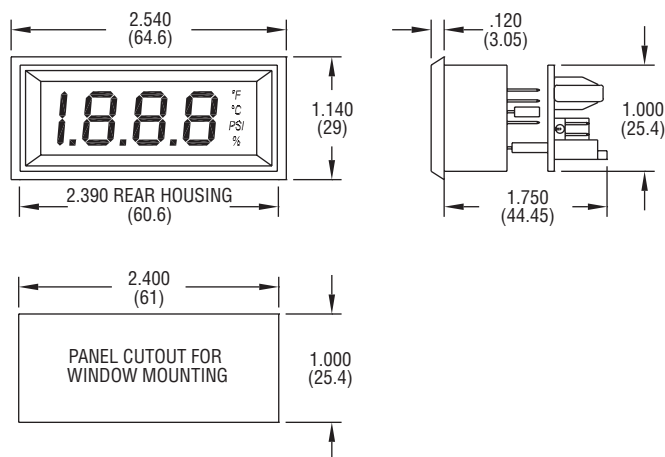




Series DPMP-5 LCD Digital Panel Meters

Specifications - Installation and Operating Instructions



The DPMP-5 LCD Digital Panel Meter provides easy viewing on the 3-1/2 digit display. The display segments are available in a choice of amber, green or red. The meter features user selectable engineering units, adjustable zero and span, and field selectable decimal point position. The snap-in bezel mount eliminates mounting hardware.

INSTALLATION

The Series DPMP-5 is designed for panel mounting in a 2.4" x 1" (61 mm x 25.1 mm) H panel cutout.

WIRING

The unit is powered by 12 or 24 VDC and the screw terminals for wiring are located on the back of the adder board marked with "+ PWR -". Move the power select jumper for the appropriate power supply value. The backlighting requires a 24 VDC power supply and should be connected to terminals identified with "+ B/L -".

The unit accepts 5 VDC or 10 VDC. Wire input according to the figure below. Set the signal select jumper for the appropriate input.

SPECIFICATIONS

Inputs: 0-10 VDC, 0-5 VDC or 0-200 mVDC.

Input Impedance: Minimum 390K.

Accuracy: ±(0.1% FS + 2 count).

Power Supply: 12 VDC or 24 VDC.

Span and Zero: Adjustable (±1999).

Display: 3-1/2 digit, 7 segments LCD.

Decimal Points: 3 Positions.

Annunciator: °F, °C, PSI, user selectable.

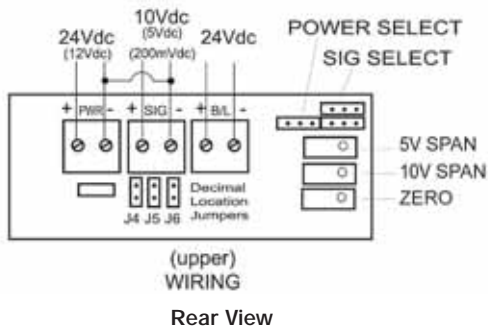
Polarity: Automatic.

Operation Temperature: 32 to 122°F (0 to 50°C).

Storage Temperature: 14 to 140°F (-10 to 60°C).

Mounting: Snap-in bezel mounts.

Connections: Screw terminal.



OPERATION

Selecting Engineering Units

Four sets of jumper pins are located in the back of the meter, between the meter and the adder board. Move the jumper to fit over the appropriate pins which correspond to the desired engineering units (see Figure 1).

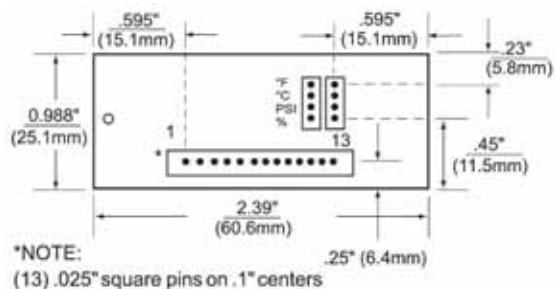


Figure 1

Selecting Decimal Point Position

Four decimal point positions are available on the digital panel meter. Move the jumper to correspond to the desired decimal point location. (see Figure 2).

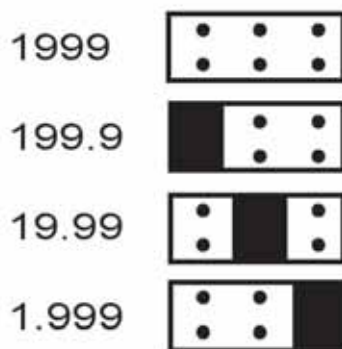


Figure 2

MAINTENANCE

Upon final installation of the Series DPMP-5 LCD Digital Panel Meters, no routine maintenance is required. A periodic check of the system calibration is recommended. The Series DPMP-5 is not field serviceable and should be returned if repair is needed (field repair should not be attempted and may void warranty). Be sure to include a brief description of the problem plus any relevant application notes. Contact customer service to receive a return good authorization number before shipping.