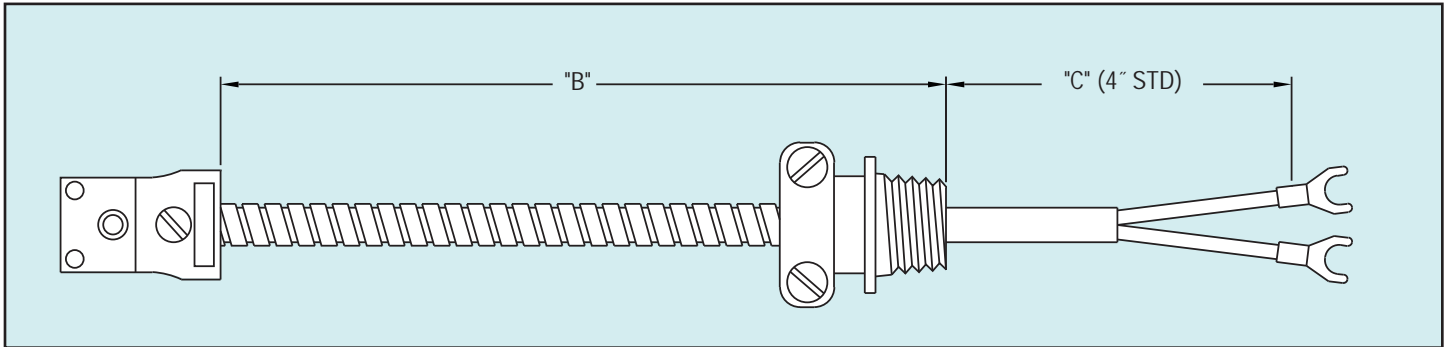




# Extension Cables



Flexible extension cables are available with a variety of terminations.

## Model Coding

Fill in the appropriate numbers or letters to specify the extension cable of your choice. Fill in all boxes. If an item or dimension does not apply, fill those boxes with zeros '0'.

Temperature

<p><b>EC-</b></p> <p>SENSOR TYPE</p> <ul style="list-style-type: none"> <li>J (T/C)</li> <li>K (T/C)</li> <li>E (T/C)</li> <li>T (T/C)</li> <li>2 (2-Wire RTD)</li> <li>3 (3-Wire RTD)</li> </ul> <p>EXTENSION TYPE</p> <ul style="list-style-type: none"> <li>0 - No Extension</li> <li>1 - Fiberglass Insulation</li> <li>3 - Stainless Steel Overbraid</li> <li>4 - FEP Insulation</li> <li>5 - Stainless Steel Flex Hose</li> <li>6 - FEP over SS Flex Hose</li> </ul>	<p>TERMINAL #1</p> <ul style="list-style-type: none"> <li>0 - Stripped Ends</li> <li>1 - Lugs</li> <li>2 - Lugs with BX</li> <li>3 - Standard Plug</li> <li>4 - Standard Jack</li> <li>6 - Mini Plug</li> <li>7 - Mini Jack</li> <li>9 - Fastabs</li> <li>A - Fastabs with BX</li> </ul>	<p>TERMINAL #2</p> <ul style="list-style-type: none"> <li>0 - Stripped Ends</li> <li>1 - Lugs</li> <li>2 - Lugs with BX</li> <li>3 - Standard Plug</li> <li>4 - Standard Jack</li> <li>6 - Mini Plug</li> <li>7 - Mini Jack</li> <li>9 - Fastabs</li> <li>A - Fastabs with BX</li> </ul>	<p>ELEMENTS</p> <ul style="list-style-type: none"> <li>1 - Single</li> <li>2 - Dual</li> </ul>
<p><b>B</b></p> <p>in feet</p>	<p><b>C</b></p> <p>Terminal #1</p> <p>in inches</p>	<p><b>C</b></p> <p>Terminal #2</p> <p>in inches</p>	