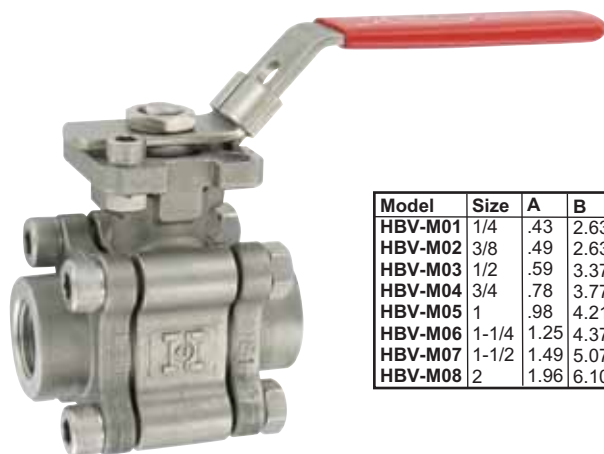


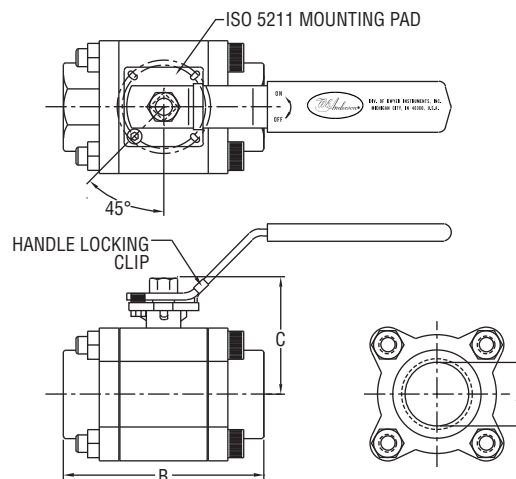


## Series HBV NI-Alloy C Ball Valve

### Instruction, Operating, and Maintenance Manual



Model	Size	A	B	C
HBV-M01	1/4	.43	2.63	2.16
HBV-M02	3/8	.49	2.63	2.16
HBV-M03	1/2	.59	3.37	2.08
HBV-M04	3/4	.78	3.77	2.35
HBV-M05	1	.98	4.21	2.55
HBV-M06	1-1/4	1.25	4.37	2.97
HBV-M07	1-1/2	1.49	5.07	3.36
HBV-M08	2	1.96	6.10	4.24



**Series HBV NI-Alloy C Ball Valve** incorporates several innovative design features for improved process performance. The ISO 5211 mounting pad facilitates direct mounting of pneumatic and electric actuators. In combination with our high-cycle, live-loaded stem packing system, the HBV series ball valve is an ideal choice for all your automation requirements.

#### INSTALLATION

Prior to installation, inspect valve and pipe ends to make sure they are free from debris. Material trapped inside the valve can cause damage to the seats and result in leakage. Clean pipe ends and check for proper threading to prevent damage to valve internals. Use a PTFE based thread sealant applied to the pipe threads. With valve in the OPEN position, install pipe. Use a smooth wrench on the hex portion of the valve, not the valve body, to tighten. Use pipe wrenches on pipe and pipe fittings only.

#### OPERATION:

These valves are bi-directional and can be installed with flow in either direction. Rotate the handle 90 degrees counterclockwise to open and 90 degrees clockwise to close. Check to make sure the process media is compatible with the valve materials. See "Specifications". Do not exceed pressure or temperature maximum ratings.

#### SPECIFICATIONS

**Service:** Gases, steam and liquids compatible with wetted materials.

**End Connections:** Female NPT.

**Pressure Limits:** 2000 psi; ASME B16.34 Class 900 (see chart).

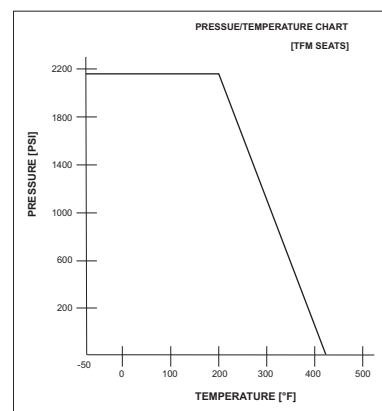
**Temperature Limit:** -20 to 425°F (-29 to 218°C).

#### Wetted Materials:

Valve body, end caps, ball and stem: ASTM 494 Type CW12MW;  
Seat, body seal, and stem packing: TFM.

#### Other Materials:

Body bolt, gland washer, stem nut, space washer, and handle: 304 SS;  
Handle cover: Vinyl.



#### MAINTENANCE

The Series HBV is a non-repairable valve. The only maintenance required is the occasional tightening of the packing gland nut. Over time some leakage may occur through the stem orifice. If this occurs tighten the packaging gland nut approximately 1/4 turn.