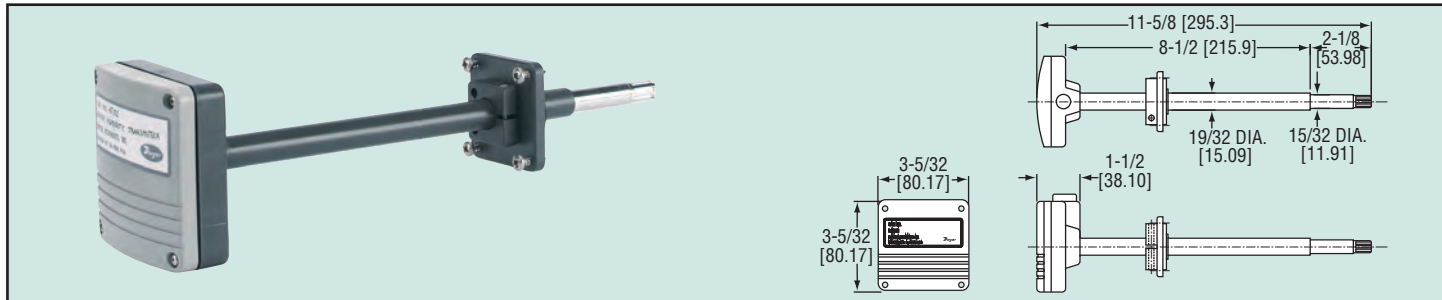




Series
HT

RH/Temperature Transmitter

Calibration-Free, 2-Wire Design, Duct Mount



Monitor and control relative humidity and temperature in building energy management systems with the Series HT Humidity/Temperature Transmitter. Designed for demanding HVAC/EMCS applications, the Series HT provides $\pm 3\%$ RH accuracy and $\pm 1\%$ stability per year. Routine calibration is not required with the fully interchangeable sensor. Two wire connections allow easy installation directly into air ducts or within a controlled area.

Model	Description
HT01	Humidity Transmitter, duct mount
HT11	Humidity/Temp Transmitter, duct mount

ACCESSORY
HT5, Replacement sensor

SPECIFICATIONS

Relative Humidity Range: 10 to 90% RH.

Temperature Range: -40 to 140°F (-40 to 60°C).

Accuracy: $\pm 3\%$ RH @ 25°C; $\pm 0.3^\circ\text{C}$ @ 25°C.

Temperature Limits: 14 to 140°F (-10 to 60°C).

Storage Temperature: -40 to 140°F (-40 to 60°C).

Operating Humidity Range: 0 to 100% RH.

Power Requirements: 10 to 28 VDC.

Output Signal: 4 to 20 mA.

Response Time: 15 seconds.

Current Consumption: 4 mA minimum.

Conduit Connection: 1/2" NPT.

Mounting Connection: 3/4" NPT.

Drift: $\pm 2\%$ RH over 2 years.

Temperature Sensor: Pt 1000Ω RTD.

RH Temperature Dependence:

$< \pm 1.5\%$ RH from 14 to 140°F

(-10 to 60°C).

Temperature Dependence: $0.01^\circ\text{C}/^\circ\text{C}$.

Housing Material: ABS plastic.

Enclosure Rating: IP65.

Weight: 0.6 lb (0.3 kg).

Agency Approvals: CE.