

HI-FLOW™ CONTROL VALVES

Globe Valves, Ideal for Steam and Water Flow Control, 1/2" to 2-1/2" Sizes, 2-Way or 3-Way



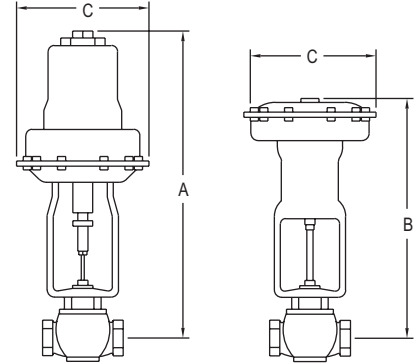
2-way with positioner



2-way with air-to-close actuator



2-way with air-to-open actuator



Hi-Flow™ Control Valves are single seated, top or cage guided globe valves - probably the simplest, from a construction standpoint, yet most versatile control valve in use. The Hi-Flow™ valve can fit applications with a smaller size valve since the valve has a greater flow capacity than most conventional valves of the same size. Coupled with the high flow capacity, the Hi-Flow™ valve maintains a wide rangeability of 50:1 to insure precise control. Heavy duty Hi-Flow™ valves are ruggedly constructed of the highest quality materials, precision machined, and performance tested to assure years of trouble free service. Standard packing consists of PTFE V-rings and wiper to minimize friction without leakage at high operating pressures. Available in brass, iron, or 316 SS body, trim is 316 SS with all welded plug construction to provide superior durability and corrosion resistance.

FEATURES/BENEFITS

- Wide rangeability of 50:1
- Exceptional shut-off and leak rate that meets ANSI/FCI 70-2 Class IV (0.01% of Cv in the closed position)
- Selectable fail safe condition with Air-to-Raise or Air-to-Lower actuators and Push-to-Open or Push-to-Close valve bodies
- Linear or equal percentage flow characteristics
- Low flow options of restricted trim or needle plug
- Removable and replaceable seat ring

APPLICATIONS

- Flow control, mixing, or diverting service
- Perfect for steam, water or compatible glycol solutions

HOW TO ORDER

Select model number from model chart or standard product chart and supply maximum upstream pressure, USP.

SPECIFICATIONS

VALVE BODY

Service: Compatible liquids, gases, and steam.

Line Size: 1/2" to 2".

Body Style: 2-way or 3-way globe.

End Connections: 1/2" to 2" female NPT.

Pressure Limit: Iron and bronze body: 250 psi (17.2 bar); 316 SS body: 300 psi (20.7 bar).

Wetted Materials: Body material: Iron, bronze, or 316 SS; Trim: 316 SS.

Packing: PTFE.

Temperature Limits: 20 to 400°F (-7 to 204.4°C).

ACTUATOR

Type: Pneumatic spring/diaphragm.

Control Signal: 3 to 15 psi (0.21 to 1.0 bar) standard. Custom ranges available.

Maximum Supply Pressure: 220, 222, and 230: 100 psi (6.89 bar). 221, 223, 231, and 233: 50 psi (3.45 bar).

Air Connection: 1/4" female NPT.

Temperature Limit: 150°F (66°C).

Note: Positioners and current-to-pressure transducers available factory mounted.



Caution: Use of an actuator supply gas other than air can create a hazardous environment because a small amount of gas continuously vents to atmosphere.

USA: California Proposition 65

⚠ WARNING: Cancer and Reproductive Harm - www.P65Warnings.ca.gov

● Transducers: See page 478 (Series 2800)

⊙ Positioners: See page 480 (Series 165)

See page 479 (Series 2900)

HI-FLOW™ CONTROL VALVES

Globe Valves, Ideal for Steam and Water Flow Control, 1/2" to 2-1/2" Sizes, 2-Way or 3-Way

Use the chart below to aid in the selection of Hi-Flow™ Control Valve. As long as the maximum upstream pressure (USP) is less than, or equal to, the value listed, the model shown can be manufactured and calibrated to your specific requirements. Specify maximum upstream pressure, USP, when ordering.

MODEL CHART - 2-WAY SIMPLIFIED SELECTION GUIDE WITH STANDARD PRODUCTS												
Pipe Size	Cv 100%	Body Material	Air-To-Open Model	Price	Max USP psi [bar] 3-15 [.21-1.0]	A in [mm]	C in [mm]	Air-To-Close Model	Price	Max USP psi [bar] 3-15 [.21-1.0]	B in [mm]	C in [mm]
1/2"	6.45	Bronze	2000VA32-230	\$1236.00 ^(B)	250 [17.2]	19-3/4 [501.7]	7-3/4 [196.9]	2000VA32-220	\$1236.00 ^(B)	250 [17.2]	18-7/16 [468.3]	7-3/4 [196.9]
1/2"	6.45	316SS	2000VA42-230	1898.00 ^(B)	300 [20.7]	19-3/4 [501.7]	7-3/4 [196.9]	2000VA42-220	1898.00 ^(B)	300 [20.7]	18-7/16 [468.3]	7-3/4 [196.9]
3/4"	10.75	Bronze	2001VA32-230	1281.00 ^(B)	250 [17.2]	19-3/4 [501.7]	7-3/4 [196.9]	2001VA32-220	1281.00 ^(B)	250 [17.2]	18-7/16 [468.3]	7-3/4 [196.9]
3/4"	10.75	Bronze	2001VA32-231	1417.00 ^(B)	250 [17.2]	20-3/8 [517.5]	10-5/8 [269.9]	2001VA32-221	1417.00 ^(B)	250 [17.2]	19-1/8 [485.8]	10-5/8 [269.9]
3/4"	10.75	316SS	2001VA42-230	2114.00 ^(B)	285 [19.7]	19-3/4 [501.7]	7-3/4 [196.9]	2001VA42-220	2114.00 ^(B)	300 [20.7]	18-7/16 [468.3]	7-3/4 [196.9]
3/4"	10.75	316SS	2001VA42-231	2250.00 ^(B)	300 [20.7]	20-3/8 [517.5]	10-5/8 [269.9]	2001VA42-221	2250.00 ^(B)	300 [20.7]	19-1/8 [485.8]	10-5/8 [269.9]
1"	17.42	Bronze	2002VA32-230	1383.00 ^(B)	166 [11.4]	20-3/16 [512.8]	7-3/4 [196.9]	2002VA32-220	1383.00 ^(B)	192 [13.2]	18-7/8 [479.4]	7-3/4 [196.9]
1"	17.42	Bronze	2002VA32-231	1519.00 ^(B)	250 [17.2]	20-13/16 [528.6]	10-5/8 [269.9]	2002VA32-221	1519.00 ^(B)	250 [17.2]	19-9/16 [496.9]	10-5/8 [269.9]
1"	17.42	316SS	2002VA42-230	2244.00 ^(B)	166 [11.4]	20-3/16 [512.8]	7-3/4 [196.9]	2002VA42-220	2244.00 ^(B)	192 [13.2]	18-7/8 [479.4]	7-3/4 [196.9]
1"	17.42	316SS	2002VA42-231	2380.00 ^(B)	300 [20.7]	20-13/16 [528.6]	10-5/8 [269.9]	2002VA42-221	2380.00 ^(B)	300 [20.7]	19-9/16 [496.9]	10-5/8 [269.9]
1-1/4"	25.30	Bronze	2003VA32-230	1480.00 ^(B)	98 [6.8]	20-5/16 [515.9]	7-3/4 [196.9]	2003VA32-220	1480.00 ^(B)	115 [7.9]	19 [482.6]	7-3/4 [196.9]
1-1/4"	25.30	Bronze	2003VA32-231	1616.00 ^(B)	245 [16.9]	20-15/16 [531.8]	10-5/8 [269.9]	2003VA32-221	1616.00 ^(B)	250 [17.2]	19-11/16 [500.1]	10-5/8 [269.9]
1-1/4"	25.30	Bronze	2003VA32-233	2096.00 ^(B)	250 [17.2]	25-13/32 [645.3]	13-3/8 [339.7]	2003VA32-223	2096.00 ^(B)	250 [17.2]	23-1/8 [587.4]	13-3/8 [339.7]
1-1/4"	25.30	316SS	2003VA42-230	2563.00 ^(B)	98 [6.8]	20-5/16 [515.9]	7-3/4 [196.9]	2003VA42-220	2563.00 ^(B)	115 [7.9]	19 [482.6]	7-3/4 [196.9]
1-1/4"	25.30	316SS	2003VA42-231	2699.00 ^(B)	245 [17.0]	20-15/16 [531.8]	10-5/8 [269.9]	2003VA42-221	2699.00 ^(B)	300 [20.7]	19-11/16 [500.1]	10-5/8 [269.9]
1-1/4"	25.30	316SS	2003VA42-233	3179.00 ^(B)	300 [20.7]	25-13/32 [645.3]	13-3/8 [339.7]	2003VA42-223	3179.00 ^(B)	300 [20.7]	23-1/8 [587.4]	13-3/8 [339.7]
1-1/2"	32.10	Bronze	2004VA32-230	1655.00 ^(B)	65 [4.5]	20-11/16 [525.5]	7-3/4 [196.9]	2004VA32-220	1655.00 ^(B)	80 [5.5]	19-3/8 [492.1]	7-3/4 [196.9]
1-1/2"	32.10	Bronze	2004VA32-231	1791.00 ^(B)	168 [11.6]	21-5/16 [541.3]	10-5/8 [269.9]	2004VA32-221	1791.00 ^(B)	235 [16.2]	20-1/16 [509.6]	10-5/8 [269.9]
1-1/2"	32.10	Bronze	2004VA32-233	2271.00 ^(B)	250 [17.2]	25-25/32 [654.8]	13-3/8 [339.7]	2004VA32-223	2271.00 ^(B)	250 [17.2]	23-1/2 [596.9]	13-3/8 [339.7]
1-1/2"	32.10	316SS	2004VA42-230	2822.00 ^(B)	65 [4.5]	20-11/16 [525.5]	7-3/4 [196.9]	2004VA42-220	2822.00 ^(B)	80 [5.5]	19-3/8 [492.1]	7-3/4 [196.9]
1-1/2"	32.10	316SS	2004VA42-231	2958.00 ^(B)	168 [11.6]	21-5/16 [541.3]	10-5/8 [269.9]	2004VA42-221	2958.00 ^(B)	235 [16.2]	20-1/16 [509.6]	10-5/8 [269.9]
1-1/2"	32.10	316SS	2004VA42-233	3438.00 ^(B)	300 [20.7]	25-25/32 [654.8]	13-3/8 [339.7]	2004VA42-223	3438.00 ^(B)	300 [20.7]	23-1/2 [596.9]	13-3/8 [339.7]
2"	50.30	Bronze	2005VA32-230	1805.00 ^(B)	31 [2.1]	20-15/16 [531.8]	7-3/4 [196.9]	2005VA32-220	1805.00 ^(B)	44 [3.0]	19-5/8 [498.5]	7-3/4 [196.9]
2"	50.30	Bronze	2005VA32-231	1941.00 ^(B)	88 [6.1]	21-9/16 [547.7]	10-5/8 [269.9]	2005VA32-221	1941.00 ^(B)	140 [9.7]	20-5/16 [515.9]	10-5/8 [269.9]
2"	50.30	Bronze	2005VA32-233	2421.00 ^(B)	175 [12.1]	26-1/32 [661.2]	13-3/8 [339.7]	2005VA32-223	2421.00 ^(B)	250 [17.2]	23-3/4 [603.3]	13-3/8 [339.7]
2"	50.30	316SS	2005VA42-230	3161.00 ^(B)	31 [2.1]	20-15/16 [531.8]	7-3/4 [196.9]	2005VA42-220	3161.00 ^(B)	44 [3.0]	19-5/8 [498.5]	7-3/4 [196.9]
2"	50.30	316SS	2005VA42-231	3297.00 ^(B)	88 [6.1]	21-9/16 [547.7]	10-5/8 [269.9]	2005VA42-221	3297.00 ^(B)	140 [9.7]	20-5/16 [515.9]	10-5/8 [269.9]
2"	50.30	316SS	2005VA42-233	3777.00 ^(B)	175 [12.1]	26-1/32 [661.2]	13-3/8 [339.7]	2005VA42-223	3777.00 ^(B)	272 [18.8]	23-3/4 [606.3]	13-3/8 [339.7]

^(B) Items are subject to Schedule B discounts.

MODEL CHART - CONTROL VALVES - HI-FLOW™ SERIES, 2-WAY, STOCKED MODELS						
Pipe Size	Cv 100%	Body Material	Air-To-Open Model	Price	Set at USP psig [bar]	Adjustable USP Range psig [bar]
1/2"	6.45	Bronze	2000VA32-230-QS	\$1236.00 ^(B)	125 [8.6]	96-200 [6.8-13.8]
3/4"	10.75	Bronze	2001VA32-230-QS	1281.00 ^(B)	125 [8.6]	81-155 [5.6-10.7]
1"	17.42	Bronze	2002VA32-230-QS	1383.00 ^(B)	125 [8.6]	123-166 [8.5-11.5]
1"	17.42	Bronze	2002VA32-231-QS	1519.00 ^(B)	125 [8.6]	71-155 [4.9-10.7]
1-1/4"	25.30	Bronze	2003VA32-230-QS	1480.00 ^(B)	98 [6.8]	66-98 [4.6-6.8]
1-1/4"	25.30	Bronze	2003VA32-231-QS	1616.00 ^(B)	125 [8.6]	121-165 [8.3-11.4]
1-1/2"	32.10	Bronze	2004VA32-231-QS	1791.00 ^(B)	125 [8.6]	104-137 [7.2-9.5]
2"	50.30	Bronze	2005VA32-231-QS	1941.00 ^(B)	88 [6.1]	68-88 [4.7-6.1]
2"	50.30	Bronze	2005VA32-233-QS	2421.00 ^(B)	125 [8.6]	116-145 [8.0-10.0]

^(B) Items are subject to Schedule B discounts.

USA: California Proposition 65

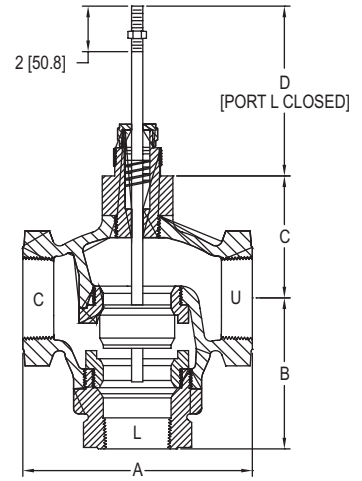
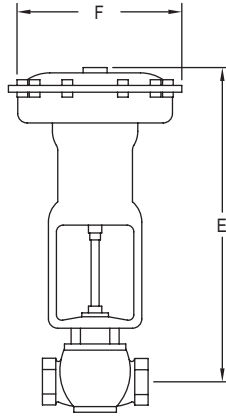
⚠ WARNING: Cancer and Reproductive Harm - www.P65Warnings.ca.gov

Filters and Regulators: See pages 483-484



HI-FLOW™ CONTROL VALVE

3-Way Standard Products for Mixing or Diverting



DIMENSIONS			
Pipe Size	B in [mm]	C in [mm]	D in [mm]
1/2"	2-9/16 [65.1]	2-3/16 [55.6]	4-1/8 [104.8]
3/4"	2-9/16 [65.1]	2-3/16 [55.6]	4-1/8 [104.8]
1"	3 [76.2]	2-7/16 [61.9]	4 [101.6]
1-1/4"	3-3/16 [81.0]	2-1/2 [63.5]	3-3/4 [95.3]
1-1/2"	3-3/4 [95.3]	2-3/4 [69.9]	3-11/16 [93.7]
2"	3-15/16 [100.0]	3-3/16 [81.0]	3-11/16 [93.7]

Use the standard models chart to aid in the selection of the most economical Hi-Flow™ 3-Way Control Valve for your application. Standard models include: LIN-E-AIRE® Air-To-Lower Actuator (port L opens on loss of air)

Mixing Service

FLOW IN - ports U&L; FLOW OUT - port C
Specify maximum upstream pressures [USP's]: USP_U and USP_L
To determine shutoff pressure: (USP_U - USP_C) + (USP_L - USP_C)

Diverting Service

FLOW IN - port C; FLOW OUT - ports U&L
Specify maximum upstream pressures [USP's]: USP_C; based on standard 3-15 psi [.21-1.0 bar] pneumatic control signal
To determine shutoff pressure: USP_U + USP_C

MODEL CHART - HI-FLOW™ CONTROL VALVES, 3-WAY SIMPLIFIED SELECTION GUIDE WITH STANDARD PRODUCTS

Pipe Size	Cv 100%	Body Material	Model	Price	USP [S] psi [bar]	E in [mm]	F in [mm]
1/2"	6.45	Bronze	3000WA32-220	\$1850.00 [Ⓢ]	250 [17.2]	18-1/16 [458.8]	7-3/4 [196.9]
1/2"	6.45	316SS	3000WA42-220	2690.00 [Ⓢ]	300 [20.7]	18-1/16 [458.8]	7-3/4 [196.9]
3/4"	10.75	Bronze	3001WA32-220	2027.00 [Ⓢ]	250 [17.2]	18-1/16 [458.8]	7-3/4 [196.9]
3/4"	10.75	316SS	3001WA42-220	2997.00 [Ⓢ]	300 [20.7]	18-1/16 [458.8]	7-3/4 [196.9]
1"	17.42	Bronze	3002WA32-220	2197.00 [Ⓢ]	200 [13.8]	18-5/16 [465.1]	7-3/4 [196.9]
1"	17.42	Bronze	3002WA32-221	2333.00 [Ⓢ]	250 [17.2]	19 [482.6]	10-5/8 [269.9]
1"	17.42	316SS	3002WA42-220	3153.00 [Ⓢ]	200 [13.8]	18-5/16 [465.1]	7-3/4 [196.9]
1"	17.42	316SS	3002WA42-221	3289.00 [Ⓢ]	300 [20.7]	19 [482.6]	10-5/8 [269.9]
1-1/4"	25.30	Bronze	3003WA32-220	2447.00 [Ⓢ]	120 [8.4]	18-3/8 [466.7]	7-3/4 [196.9]
1-1/4"	25.30	Bronze	3003WA32-221	2583.00 [Ⓢ]	250 [17.2]	19-1/16 [484.2]	10-5/8 [269.9]
1-1/4"	25.30	316SS	3003WA42-220	3644.00 [Ⓢ]	120 [8.3]	18-3/8 [466.7]	7-3/4 [196.9]
1-1/4"	25.30	316SS	3003WA42-221	3780.00 [Ⓢ]	300 [20.7]	19-1/16 [484.2]	10-5/8 [269.9]
1-1/2"	32.10	Bronze	3004WA32-220	2665.00 [Ⓢ]	80 [5.6]	18-5/8 [473.1]	7-3/4 [196.9]
1-1/2"	32.10	Bronze	3004WA32-221	2801.00 [Ⓢ]	200 [13.8]	19-5/16 [490.5]	10-5/8 [269.9]
1-1/2"	32.10	Bronze	3004WA32-223	3281.00 [Ⓢ]	250 [17.2]	21-3/8 [542.9]	13-3/8 [339.7]
1-1/2"	32.10	316SS	3004WA42-220	4109.00 [Ⓢ]	80 [5.5]	18-5/8 [473.1]	7-3/4 [196.9]
1-1/2"	32.10	316SS	3004WA42-221	4245.00 [Ⓢ]	200 [13.8]	19-5/16 [490.5]	10-5/8 [269.9]
1-1/2"	32.10	316SS	3004WA42-223	4725.00 [Ⓢ]	300 [20.7]	21-3/8 [542.9]	13-3/8 [339.7]
2"	50.30	Bronze	3005WA32-220	3109.00 [Ⓢ]	45 [3.1]	19-1/16 [484.2]	7-3/4 [196.9]
2"	50.30	Bronze	3005WA32-221	3245.00 [Ⓢ]	100 [6.9]	19-3/4 [501.7]	10-5/8 [269.9]
2"	50.30	Bronze	3005WA32-223	3725.00 [Ⓢ]	175 [12.1]	21-13/16 [554.0]	13-3/8 [339.7]
2"	50.30	316SS	3005WA42-220	4703.00 [Ⓢ]	45 [3.1]	19-1/16 [484.2]	7-3/4 [196.9]
2"	50.30	316SS	3005WA42-221	4839.00 [Ⓢ]	100 [6.9]	19-3/4 [501.7]	10-5/8 [269.9]
2"	50.30	316SS	3005WA42-223	5319.00 [Ⓢ]	175 [12.1]	21-12/16 [554.0]	13-3/8 [339.7]

Ⓢ Items are subject to Schedule B discounts.

Caution: Use of an actuator supply gas other than air can create a hazardous environment because a small amount of gas continuously vents to atmosphere.

USA: California Proposition 65
 ⚠ WARNING: Cancer and Reproductive Harm - www.P65Warnings.ca.gov