



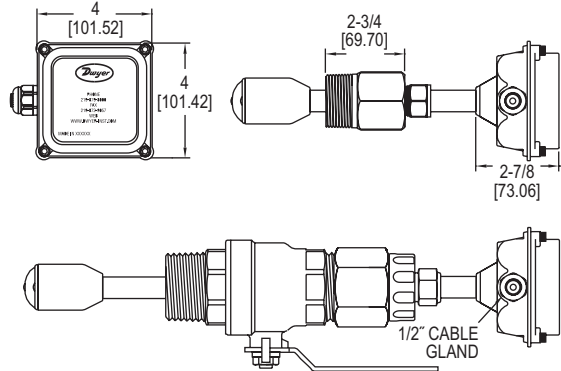
SERIES IEFS & SDF

INSERTION ELECTROMAGNETIC FLOW SENSOR

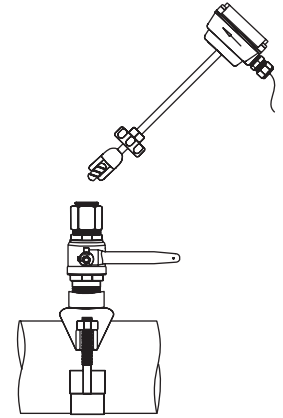
No Moving Parts, Hot-Tap Option, 3 to 48" (76 to 1219 mm) Field Adjustable Insertion



SDF-I-XX



Hot-Tap Option



Hot-Tap Option
(Shown installed on pipe)

The **SERIES IEFS** Insertion Electromagnetic Flow Transmitters is an adjustable, insertion flowmeter designed for use in 3 to 48" (7.6 to 122 cm) pipes. This series provides a pulse rate output of the flow.

FEATURES/BENEFITS

- Long life cycle and less frequent maintenance with no moving parts to wear or break and electrodes that discourage fouling
- Unaffected by change in temperature, density, viscosity or concentration
- Pulse output for use with a variety of displays and controllers for remote reading
- Easy meter mount display and transmitter accessories for local indication and analog 4 to 20 mA output

APPLICATIONS

- Contaminated liquid flow monitoring
- Flow of conductive liquids
- Water & wastewater treatment
- Industrial systems
- Irrigation applications
- Telemetry applications

The **SERIES SDF** Saddle Fitting are available for pipe sizes ranging from 3 to 24" and securely attach Series IPFS, IEFS or any other 1-1/2" or 2" size connection to the process application. Fittings are available in PVC, ductile iron, and bronze materials.

FEATURES/BENEFITS

- Simple installation with provided O-rings

APPLICATIONS

- Irrigation
- Ground water remediation
- Cooling systems
- Pump protection
- Leak detection
- Filtration systems

MODEL CHART						
Example	IEFS	-0SB	-BAF	IEFS-0SB-BAF		
Series	IEFS			Insertion electromagnetic flow sensor		
Size/ Material		0SB 0SS 0LB 0LS 1SB 1SS 1LB 1LS		Size	Hot-Tap	Material
				3 to 10"	No hot-tap	Brass
				3 to 10"	No hot-tap	SS
				10 to 48"	No hot-tap	Brass
				10 to 48"	No hot-tap	SS
				3 to 10"	Hot-tap	Brass
				3 to 10"	Hot-tap	SS*
				10 to 48"	Hot-tap	Brass
				10 to 48"	Hot-tap	SS*
Options				BAT Blind analog transmitter		
				BAF 2" brass adapter fittings (IEFS-0XX only)		
				SAF 2" SS adapter fittings (IEFS-0XX only)		
				SVA 316 SS valve assembly (IEFS-1XX only)		
				NVA No valve assembly (deduct price) (IEFS-1XX only)		
				RFO Reverse flow output		
				BPT 1-1/2" brass BPT adapter (2 piece) (IEFS-0XX only)		
				SPT 1-1/2" SS BPT adapter (2 piece) (IEFS-0XX only)		
				IMM Immersible (urethane potted electrical components)		
				LOP Low power (12 to 25 VDC @ 40 mA)		
				EXT 12" extension (IEFS-XLX only)		
				*SS is stem and fitting. For SS valve order SVA option.		

SPECIFICATIONS

Service: Compatible clean or dirty non-coating, conductive liquids.	Pressure Limit: 200 psi (13.8 bar).
Range: 0.28 to 20 ft/s (0.08 to 6.09 m/s).	Output: Current sinking, square wave pulse, opto-isolated, 550 Hz @ 20 ft/s, 30 VDC @ 6 mA max.
Wetted Materials: Body shaft/fitting: 316 SS or brass; Electrodes: Hastelloy®; Electrode cap: PVDF; Valve assembly: (IEFS-1XX) Bronze (SS optional) with bronze ball valve; O-ring: EPDM.	Power Requirements: 12 to 25 VDC @ 250 mA; Low Power: 12 to 25 VDC @ 40 mA.
Accuracy: ±1% FS.	Electrical Connection: Terminal block.
Temperature Limits: Process: 32 to 200°F (0 to 93°C); Ambient: 0 to 160°F (-17 to 72°C).	Conductivity: ≥ 20 microSiemens/cm.
Process Connection: IEFS-0XX: 1-1/2" male NPT; IEFS-1XX: 2" male NPT.	Enclosure Material: Housing: Die-cast powder-coated aluminum.
	Enclosure Rating: NEMA 4X (IP66).
	Weight: IEFS-0SX: 6 lb (2721 g); IEFS-0LB: 12 lb (5443 g); IEFS-1XX: 15 lb (6804 g).

ACCESSORIES

Series	Description
BAT	Blind analog transmitter; converts pulse output to 4 to 20 mA analog output; unit is loop powered, fits on the enclosure of the meter, and is field spannable.
RT1	Rate total indicator; converts pulse output to 4 to 20 mA analog output with local flow rate and totalization display; unit is loop powered, can fit on the enclosure of the meter, and provides a high/low flow alarm.
PWD	Pulse divider, for use with pacing electronic metering pumps; unit divides the input frequency to any number from 1 to 9999 with the use of rotary switches to suit a number of metering pump inputs. (See website)

MODEL CHART					
Example	SDF	-I	-03	-15	SDF-I-03-15
Series	SDF				Saddle fittings
Material		I			Iron
Pipe Size					03 3"
					06 6"
					08 8"
					10 10"
					12 12"
					14 14"
					16 16"
					18 18"
					20 20"
22 22"					
24 24"					
Thread Size					15 For Series IEFS, IPFS, TBS non hot-tap models (1-1/2" male NPT)
					20 For Series IEFS, IPFS, TBS hot-tap models (2" male NPT)

MODEL CHART			
Stocked Model	Description	Pipe Size	Material
IEFS-0SB	Adjustable insertion electromagnetic flow sensor	3 to 10"	Brass
IEFS-0SS	Adjustable insertion electromagnetic flow sensor	3 to 10"	SS

USA: California Proposition 65

⚠WARNING: Cancer and Reproductive Harm - www.P65Warnings.ca.gov

Hastelloy® is a registered trademark of Hanes International

● See page 326 (Series BAT)

● See page 326 (Series RT1)