

SERIES EDA | MERCOID® ELECTRONIC PRESSURE CONTROLLER

FEATURES/BENEFITS

- Versatile compact package that can replace a separate gage, two switches, and a transmitter in a system saving money, installation time, and panel space
- Fully programmable to meet simple or complex application needs

APPLICATIONS

- Process control
- Compressor control

DESCRIPTION

Series EDA Electronic Pressure Control is an extremely versatile compact package that can replace a separate gage, two switches, and a transmitter in a system saving money, installation time, and panel space. The EDA incorporates two SPDT relays that have the on and off points fully adjustable over the range for control or alarm use. Front face has LED indicators for switch status and a large backlight two-line display showing process value and indication units. Programming is easy with simple menu structure, two-line display, and external programming buttons. Weatherproof housing is ideal for a wide variety of applications with panel mount, flush mount, or pipe mount ability



SPECIFICATIONS

| | |
|---------------------------------------|---|
| Service | Compatible liquids and gases. |
| Wetted Materials | 316L SS. |
| Housing | Glass filled plastic. |
| Accuracy | ±1% of FS including linearity, hysteresis, and repeatability (indicator and transmitter). |
| Stability | < ±2% of FS per year. |
| Pressure Limits | 1.5 x range. |
| Temperature Limits | Ambient: 20 to 140°F (-6.6 to 60°C); Process: 0 to 176°F (-18 to 80°C). |
| Compensated Temperature Limits | 32 to 122°F (0 to 50°C). |
| Thermal Effect | ±0.05% of F.S./°F. |
| Display | 4-digit backlit LCD (Digits: 0.60" H x 0.33" W). |
| Power Requirements | 12 to 30 VDC/AC. |
| Power Consumption | 2.5 watts. |
| Electrical Connections | Removable terminal blocks with 1/2" female NPT conduit connections. |
| Enclosure Rating | Meets NEMA 4X (IP65). |
| Warm Up Time | <10 seconds. |
| Mounting Orientation | Any position. |
| Weight | 1.18 lbs (535 g). |
| Agency Approvals | CE, UL. |

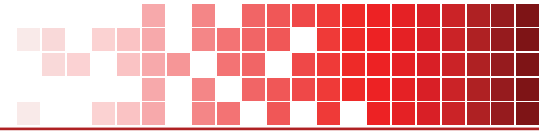
SWITCH SPECIFICATIONS

| | |
|--------------------------|---|
| Switch Type | 2 SPDT relays. |
| Electrical Rating | 5 A @ 120/240 VAC, 1 A @ 30 VDC. |
| Repeatability | ±1% of FS (switching only). |
| Set Points | Adjustable 0-100% of FS. |
| Switch Indication | External LED for each relay on the front panel. |
| Switch Reset | Manual or Automatic. |

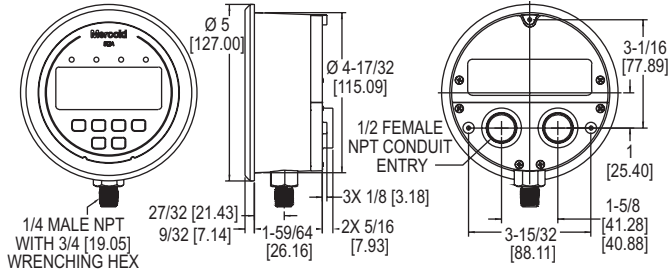
TRANSMITTER SPECIFICATIONS

| | |
|----------------------------------|--|
| Output Signal | 4 to 20 mA, 1 to 6 VDC, 1 to 5 VDC, or 0 to 10 VDC (direct or reverse output selection). |
| Minimum Excitation | 14 VDC. |
| Zero and Span Adjustments | Menu scalable within the range. |

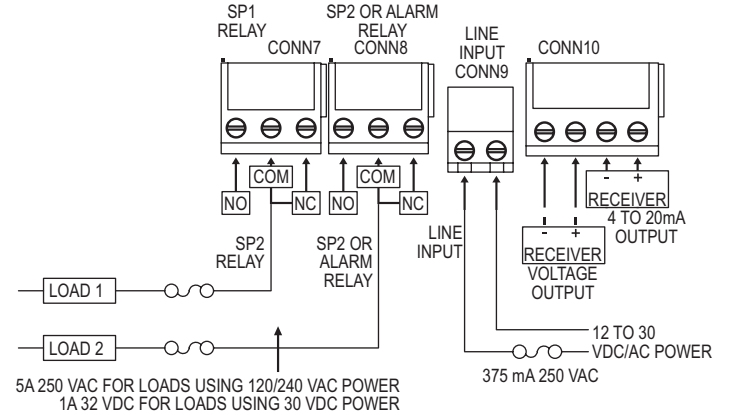




DIMENSIONS

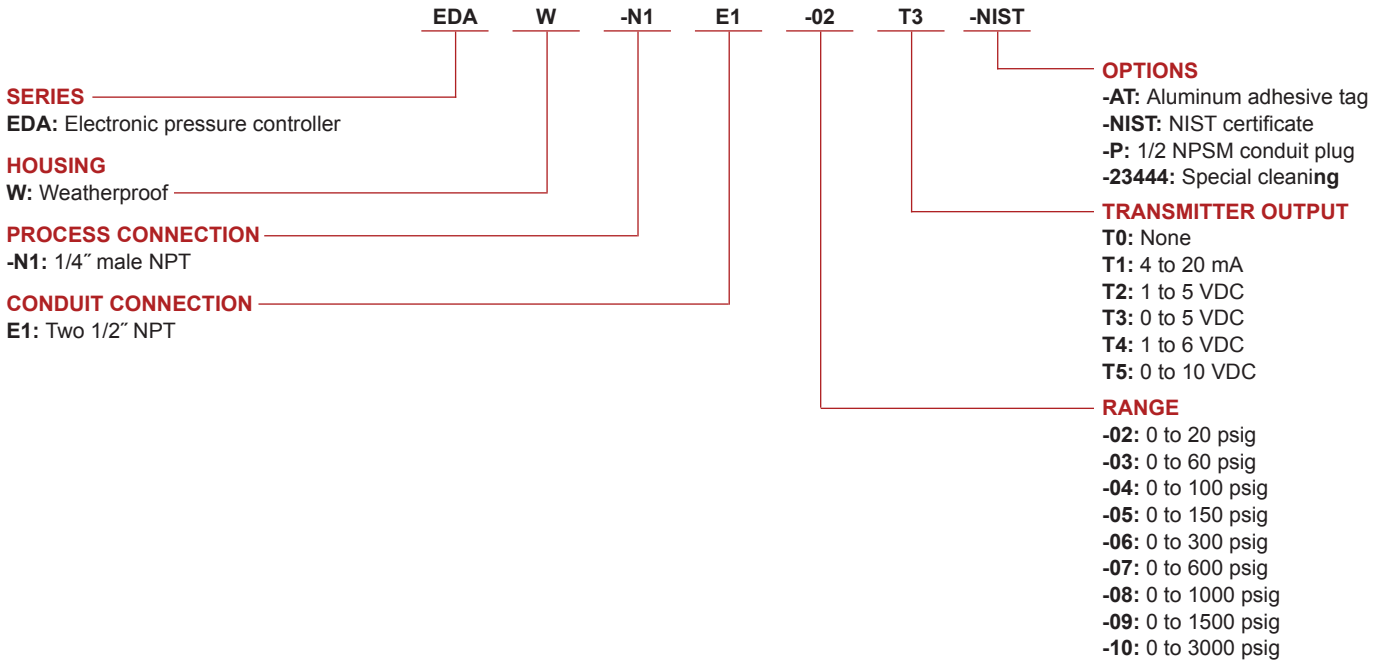


WIRING DIAGRAM



HOW TO ORDER

Use the **bold** characters from the chart below to construct a product code.



ACCESSORIES

| Model | Description |
|--------------|---|
| A-590 | 1/2" conduit plug, watertight. |
| A-370 | Flush mount bracket used with: Photohelic®, 3000MR/MRS, Capsuhelic®, 631 B Transmitter, EDA. Bracket is then surface mounted. Steel with gray hammertone epoxy finish |

Important Notice: Dwyer Instruments, Inc. reserves the right to make changes to or discontinue any product or service identified in this publication without notice. Dwyer advises its customers to obtain the latest version of the relevant information to verify, before placing any orders, that the information being relied upon is current.

