

# SERIES IEF | INSERTION ELECTROMAGNETIC FLOW TRANSMITTER



## FEATURES/BENEFITS

- Field configurable, integral or remote displays allow for ultimate flexibility by accommodating a variety of applications through multiple display configurations
- High performance accuracy is maintained through changes in temperature, density, and viscosity
- Setup Wizard and installation tool are simple to use allowing for quick and precise installation
- Accessory setup kit A-IEF-KIT ensures exact installation application depth with included thickness gage and measuring tape
- Long life cycle and minimal maintenance requirements with no moving parts to wear or break and electrodes that discourage fouling
- Isolation valve accessory options allow for installation in operational systems via hot-tap kit or easy removal without system downtime
- NIST calibration certificate included standard for Carbon Steel Schedule 40 pipes sized 4" (102 mm), 6" (150 mm), 8" (200 mm), and 10" (250 mm) with high accuracy option



Shown with A-IEF-VLV-BR accessory valve

## APPLICATIONS

- |  |                            |
|--|----------------------------|
| • Boiler feed water                    | • Ground water remediation |
| • Chilled water                        | • Chemical processing      |
| • Open and closed loop condenser water | • Pump protection          |
| • Irrigation system                    | • Wastewater               |
| • Municipal water distribution         | • Mining                   |
| • Process and coolant flow             |                            |

## DESCRIPTION

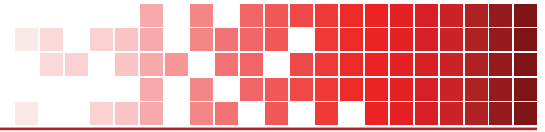
The **SERIES IEF** Insertion Electromagnetic Flow Transmitter is an adjustable insertion flowmeter featuring electromagnetic technology that accurately and reliably measures fluid velocity in addition to providing several continuous signal outputs. This series is specifically designed to offer superior performance paired with simple installation and use. One unit is adjustable to fit pipe sizes from 4 to 36" (102 to 914 mm), and offers several output options including selectable BACnet MS/TP or Modbus® RTU communications protocol over 2-wire RS-485 in addition to the standard analog, frequency and alarm outputs.



-LCD option shown

Modbus® is a registered trademark of Schneider Automation, Inc.





### SPECIFICATIONS

<b>Service</b>	Compatible clean or dirty non coating, conductive liquids.
<b>Range</b>	0 to 20 ft/s (0 to 6 m/s).*
<b>Wetted Materials</b>	Body shaft/fitting: 316 SS; Electrodes: 316 SS; Electrode cap: Polymer/Polystyrene; O-ring: Silicone.
<b>Accuracy</b>	IEF-HX-X: $\pm 0.5\%$ of reading at calibrated velocity; $\pm 1\%$ of reading from 2 to 20 ft/s (0.6 to 6 m/s); $\pm 0.02$ ft/s ( $\pm 0.006$ m/s) at $< 2$ ft/s (0.6 m/s); IEF-SX-X: $\pm 1\%$ FS.
<b>Temperature Limits</b>	Ambient: -20 to 160°F (-29 to 71°C); Process: 15 to 250°F (121°C); Storage: -40 to 185°F (-40 to 85°C).
<b>Process Connection</b>	1" NPT or BSPT with accessory full port ball valve options.
<b>Pressure Limits</b>	400 psi (27.6 bar) @ 100° F (37.8°C).
<b>Pressure Drop</b>	$< 0.1$ psi at 12 ft/s in 4" (101.6 mm) and larger pipe.
<b>Outputs</b>	(1) Analog: 4 to 20 mA, 0 to 5 V, 0 to 10 V or 2 to 10 V (display selectable); (1) Pulse/Frequency: 0 to 15 V peak pulse, 0 to 500 Hz or scalable pulse output (display selectable); (2) Alarm: (1) Empty pipe detection or minimum/maximum velocity, (display selectable); (1) Reverse flow output indication.
<b>Power Requirements</b>	12 to 42.4 VDC, 0.25 A @ 24 VDC; 12 to 36 VAC.
<b>Electrical Connection</b>	Removable terminal blocks, model selectable 1/2" female NPT conduit connection, PG 16 gland or PG 16 gland with (2) 10 ft (3 m) 9 conductor 22 AWG plenum rated cables, accessory cable lengths up to 200 ft (61 m) optional.
<b>Display (-LCD option)</b>	2" ( 5.08 cm) x 2" (5.08 cm) graphic LCD with backlight.
<b>Conductivity</b>	$> 20$ microsiemens
<b>Enclosure Material</b>	Powder coated die cast aluminum.
<b>Enclosure Ratings</b>	NEMA 6P (IP68) (Non display models); NEMA 4X (IP66) (-LCD option).
<b>Agency Approvals</b>	BTL, CE, NSF/ANSI 61 and 372 pending.

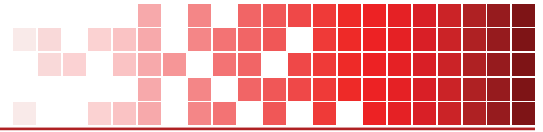
### COMMUNICATIONS SPECIFICATIONS (-COM OPTION)

<b>Type</b>	BACnet MS/TP or Modbus® RTU communication protocol (default disabled, display selectable).
<b>Supported Baud Rates</b>	9600, 19200, 38400, 57600, 76800, or 115200 bps (display selectable).
<b>Device Load</b>	1/8 unit load.

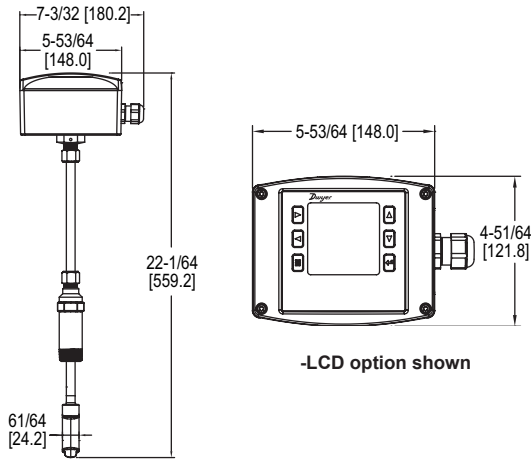
### ADDITIONAL SPECIFICATIONS

<b>Applicable Pipe Material</b>	BACnet MS/TP or Modbus® RTU communication protocol (default disabled, display selectable).
<b>Applicable Pipe Size</b>	9600, 19200, 38400, 57600, 76800, or 115200 bps (display selectable).
<b>Diameter Length Requirements</b>	1/8 unit load.
*For max flowrates $> 10$ ft/s (3 m/s) order option -CC.	

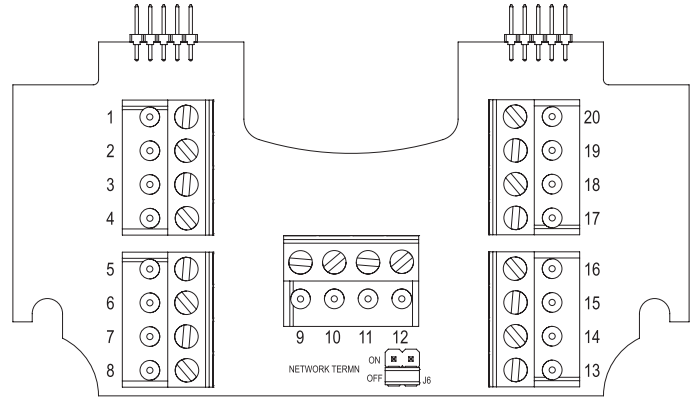




## DIMENSIONS



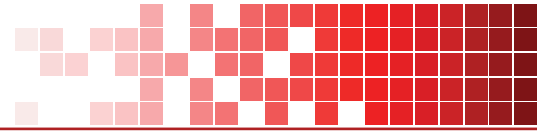
## WIRING DIAGRAM



WIRING DIAGRAM				
Cable*	Terminal #	Wire Color	Description	Note
A	1	Red	Power Supply Positive	Connect to +24VDC or VAC transformer
A	2	Black	Power Supply Common	Connect to 24VDC/VAC common
A	13	Shield	-	If used - Application Dependant
B	14	Shield	-	If used - Application Dependant
External	-	-	Earth/Chassis Ground	-
<b>Analog Current Output</b>				
B	3	Brown	(+) Analog current output	4 to 20 mA process output
B	4	Blue	(-) Analog output common	Current output common
<b>Analog Voltage Output</b>				
B	5	Green	(+) Analog voltage output	May be configured; 0 to 10 V, 0 to 5 V, 2 to 10 V, etc.
B	6	White	(-) Analog output common	Voltage output common
<b>Frequency Output</b>				
B	8	Violet	(+) Frequency output	0 to 500 Hz output (@ 0/15 VDC output level)
B	7	Grey	(-) Analog output common	Frequency output common
<b>RS-485 Communication (optional)</b>				
B	11,12	Orange	RS-485 (+)	On board short for daisy chain connection
B	9,10	Yellow	RS-485 (-)	On board short for daisy chain connection
<b>Reverse Flow</b>				
A	15	Brown	Isolated solid state output N.O.	50 V AC/VDC @ 100 mA maximum
A	16	Blue	Isolated solid state output N.O.	50 V AC/VDC @ 100 mA maximum
<b>Alarm</b>				
A	17	Green	Isolated solid state output N.O.	50 V AC/VDC @ 100 mA maximum
A	18	White	Isolated solid state output N.O.	50 V AC/VDC @ 100 mA maximum
<b>Pulse</b>				
A	19	Orange	Isolated solid state output N.O.	50 V AC/VDC @ 100 mA maximum
A	20	Yellow	Isolated solid state output N.O.	50 V AC/VDC @ 100 mA maximum
<b>No Connection</b>				
B	-	Red	Do not connect	-
B	-	Black	Do not connect	-
A	-	Violet	Do not connect	-
A	-	Grey	Do not connect	-

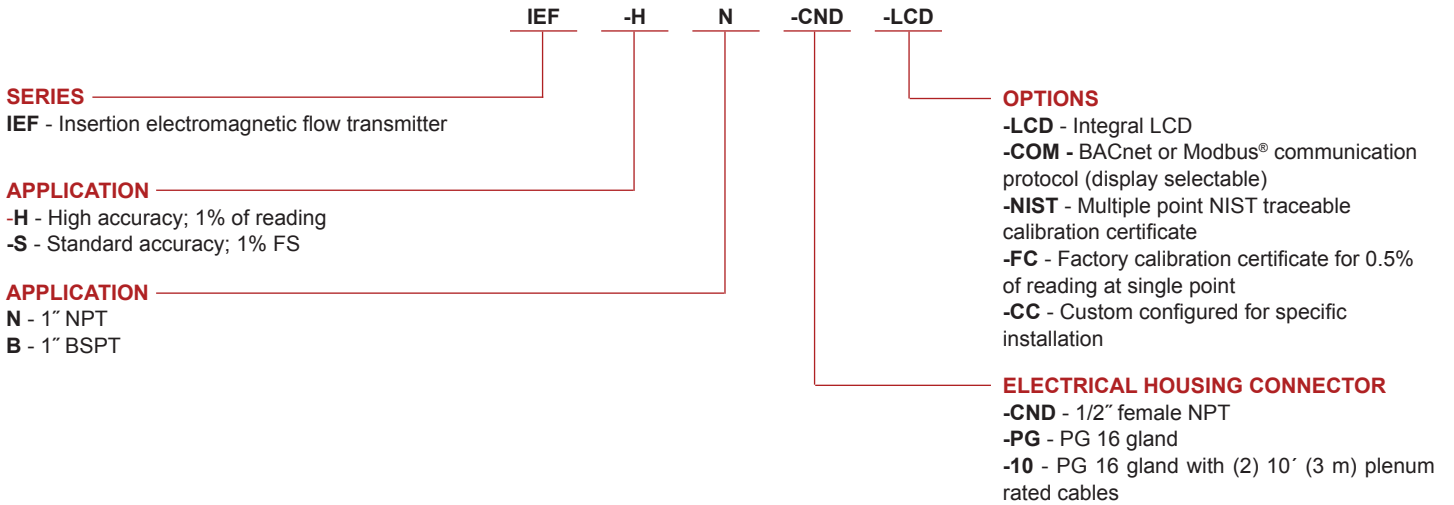
\*Supplied cables - shown





## HOW TO ORDER

Use the **bold** characters from the chart below to construct a product code.



## ACCESSORIES

Model	Description
<b>A-IEF-KIT</b>	Setup kit (includes setup display, thickness gage and measuring tape)
<b>A-IEF-DSP</b>	Setup display
<b>A-IEF-CBL-50</b>	Plenum rated cable 50 ft (15.2 m)
<b>A-IEF-VLV-BR</b>	1-1/4" full port isolation valve brass
<b>A-IEF-VLV-SS</b>	1-1/4" full port isolation valve 316 SS
<b>A-IEF-INGD</b>	Installation alignment kit
<b>A-IEF-PA</b>	AC wall adapter

Modbus® is a registered trademark of Schneider Automation, Inc.

Important Notice: Dwyer Instruments, Inc. reserves the right to make changes to or discontinue any product or service identified in this publication without notice. Dwyer advises its customers to obtain the latest version of the relevant information to verify, before placing any orders, that the information being relied upon is current.

