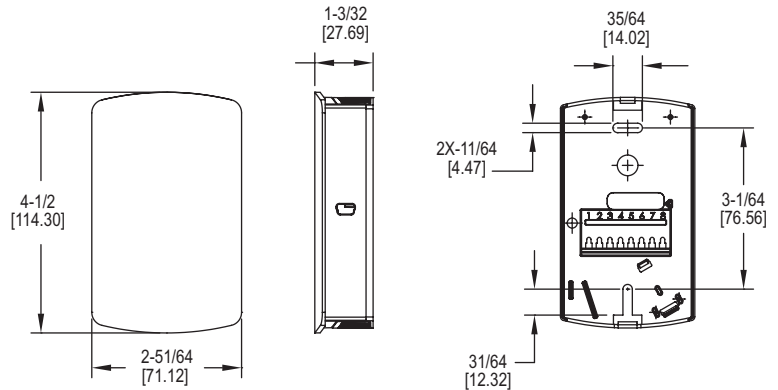


# WALL MOUNT HUMIDITY/TEMPERATURE TRANSMITTER

2% or 3% Humidity Sensor, Passive Temperature Outputs



The Series RHPLC Wall Mount Humidity/Temperature Transmitter is a compact economical sensor for the building automation marketplace. The stylish housing is well vented to provide air flow across the sensor to improve measurement accuracy. Each unit utilizes a capacitive polymer sensing element to deliver a proportional analog output. A combination humidity and temperature model can be configured with current, voltage, RTD, or thermistor output. A wide selection of passive RTD or thermistor temperature sensors are available in this series.

**FEATURES/BENEFITS**

- 2% or 3% accuracy models
- Humidity only or temperature and humidity combo
- Wide selection of passive thermistor or RTD temperature sensors

**APPLICATIONS**

- Air economizers
- Room comfort monitoring

**SPECIFICATIONS**

**Sensor:** Capacitive polymer.  
**Relative Humidity Range:** 0-100% RH.  
**RH Accuracy:** ±2% 10 to 90% RH @ 25°C for 2% accuracy units; ±3% 20 to 80% RH @ 25°C for 3% accuracy units.  
**RH Hysteresis:** ±0.8%.  
**RH Repeatability:** ±0.1% typical.  
**Temperature Output Range:** -40 to 140°F (-40 to 60°C).  
**Passive Thermistor Temperature Sensor Accuracy:** ±0.36°F @ 77°F (±0.2°C @ 25°C).  
**Accuracy RTD Temp Sensor:** DIN Class B; ±0.3°C @ 0°C (±0.54°F @ 77°F).  
**Accuracy Current/Voltage Temperature Output:** ±0.9°F @ 72°F (±0.3°C @ 25°C).  
**Temperature Limits:** Operating: -40 to 140°F (-40 to 60°C); Storage: -40 to 176°F (-40 to 80°C).  
**Power Requirements:** 10 to 35 VDC for 4 to 20 mA or 0 to 5 VDC output; 15 to 35 VDC for 0 to 10 VDC output; 10 to 29 VAC for 0 to 5 VDC output; 15 to 29 VAC for 0 to 10 VDC output.  
**Response Time:** 8 s (τ<sub>63</sub>).  
**Electrical Connections:** Screw terminal block.  
**Drift:** <0.25% RH/year.  
**Enclosure Material:** Polycarbonate.  
**Weight:** 4.4 oz (125 g).  
**Agency Approvals:** CE.

MODEL CHART								
Example	RHPLC	-3	N	2	A	-FC	RHPLC-3N2A-FC	Price
<b>Series</b>	RHPLC						Humidity/temperature transmitter	-
<b>Accuracy</b>		2					2% accuracy	+\$30.00
		3					3% accuracy	+\$20.00
<b>Housing</b>			N				North American style wall mount	55.00
<b>Humidity Output</b>				1			Current 4 to 20 mA	-
				2			Voltage 0 to 10 VDC	-
				3			Voltage 0 to 5 VDC	-
<b>Temperature Output</b>					0		None	-
					1		Current 4 to 20 mA	+\$12.00
					2		Voltage 0 to 10 VDC	+\$12.00
					3		Voltage 0 to 5 VDC	+\$12.00
					A		10K Ω @ 25°C thermistor type III	+\$10.00
					B		10K Ω @ 25°C thermistor type II	+\$10.00
					C		3K Ω @ 25°C thermistor	+\$10.00
					D		100 Ω RTD DIN 385	+\$12.00
					E		1K Ω RTD DIN 385	+\$12.00
					F		20K Ω @ 25°C thermistor	+\$10.00
<b>Options</b>						FC	Factory calibration certificate (3% accuracy units)	+\$15.00

ACCESSORIES		
Model	Description	Price
SCD-PS	100-240 VAC/VDC to 24 VDC power supply	\$30.00
APT-40-SDN	AC power transformer, 120/208/240/277/480 VAC input, 24 VAC isolated output, 40 VA, dual hub	13.75