


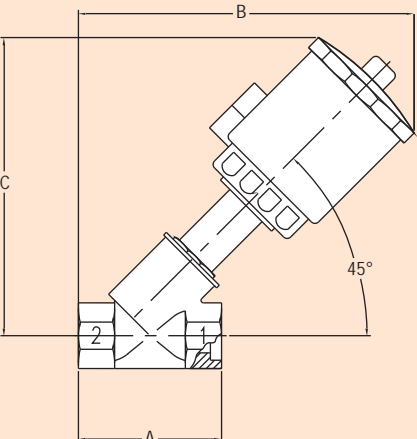


Series
SAV-SSC

Angle Seat Valve - SS Sanitary Clamp

Low Cost, Compact Design, For Use with Gases & Liquids





Dimensions (in)

Port Connection	A	B	C	Actuator Diameter	Cv
1/2	4-1/64	6-27/64	4-7/8	1-3/4	4.9
1/2	4-1/64	8-9/32	6-47/64	2-1/2	4.9
3/4	4-29/64	6-37/64	4-31/32	1-3/4	9.1
3/4	4-29/64	8-35/64	6-15/16	2-1/2	9.1
1	5-3/32	9-3/32	7-19/64	2-1/2	21.7
1	5-3/32	9-37/64	7-23/32	3-9/16	21.7
1-1/4	5-9/16	9-29/64	7-39/64	2-1/2	31.5
1-1/4	5-9/16	9-57/64	4-61/64	3-9/16	31.5
1-1/2	6-17/64	9-13/16	7-51/64	2-1/2	49.0
1-1/2	6-17/64	10-1/4	8-5/32	3-9/16	49.0
2	7-31/64	10-33/64	8-5/32	2-1/2	60.1
2	7-31/64	10-63/64	8-33/64	3-9/16	60.1

Save space while maintaining flow rates with the compact Series SAV-SSC Angle Seat Valve. The pneumatic, externally piloted angle seat valve is operated by a single acting actuator with a mechanical spring for failsafe operation. Select from either normally closed (NC) or normally open (NO) configurations. Bi-directional valves (normally closed) are designed for special applications that require flow in both directions and incorporate an anti-waterhammer design for liquid applications flowing under the seat. Normally open valves can also be used to prevent waterhammer on valve closure in liquid applications.

Constructed of investment cast stainless steel and PTFE seals, the Series SAV-SSC can be used in most gas, liquid, steam and corrosive applications. Integral heat sinks dissipate heat protecting the Polyamide actuator, ensuring longer life.

The Series SAV-SSC can be mounted in any position. For added flexibility, the actuator housing rotates 360 degrees for positioning of the pressure ports. Standard visual indicator shows open or closed position.

SPECIFICATIONS

VALVE BODY

Service: Gases and liquids compatible with wetted materials.

Wetted Materials: Valve body: AISI 316L SS; Plug and stem: AISI 316L SS; Stem O-ring: Fluoroelastomer; Seat and seal: PTFE.

Line Sizes: 1/2" to 2".

Pressure Limits: See table below.

Temperature Limits: 14 to 356°F (-10 to 180°C).

Flow Leakage: Meets ANSI Class VI.

Connections: Sanitary clamp to ISO 2582 (clamp and clamp gasket not included).

ACTUATOR

Type: Piston/pneumatic spring.

Pilot Connections: 1-3/4" dia. act.: 1/8" BSP; 2-1/2" dia. act.: 1/4" BSP; 3-9/16" dia. act.: 1/4" BSP.

Pilot Media: Air, water, inert gas.

Pressure Limits: See table below.

Temperature Limit: 140°F (60°C).

Port Connection	Actuator Diameter	Normally Closed	Normally Open	Bi-directional (NC)
1/2"	1-3/4"	SAV-SSCA1-NC	SAV-SSCA1-NO	SAV-SSCA1-BD
1/2"	2-1/2"	SAV-SSCA2-NC	SAV-SSCA2-NO	SAV-SSCA2-BD
3/4"	1-3/4"	SAV-SSCB1-NC	SAV-SSCB1-NO	SAV-SSCB1-BD
3/4"	2-1/2"	SAV-SSCB2-NC	SAV-SSCB2-NO	SAV-SSCB2-BD
1"	2-1/2"	SAV-SSCC2-NC	SAV-SSCC2-NO	SAV-SSCC2-BD
1"	3-9/16"	SAV-SSCC3-NC	SAV-SSCC3-NO	SAV-SSCC3-BD
1-1/4"	2-1/2"	SAV-SSCD2-NC	SAV-SSCD2-NO	SAV-SSCD2-BD
1-1/4"	3-9/16"	SAV-SSCD3-NC	SAV-SSCD3-NO	SAV-SSCD3-BD
1-1/2"	2-1/2"	SAV-SSCE2-NC	SAV-SSCE2-NO	SAV-SSCE2-BD
1-1/2"	3-9/16"	SAV-SSCE3-NC	SAV-SSCE3-NO	SAV-SSCE3-BD
2"	2-1/2"	SAV-SSCF2-NC	SAV-SSCF2-NO	SAV-SSCF2-BD
2"	3-9/16"	SAV-SSCF3-NC	SAV-SSCF3-NO	SAV-SSCF3-BD

ACCESSORIES

A-538 1/8" BSP to 1/8" NPT adapter, for 1-3/4" dia. actuators

A-539 1/4" BSP to 1/4" NPT adapter, for 2-1/2", 3-9/16" dia. actuators

For Solenoid Valve see Series PV.

Line and Pilot Pressure Chart (psi)

Port Connection	Actuator Diameter	Normally Closed					Normally Open					Bi-Directional (Normally Closed)				
		Max. Line Pres.	Max. Steam Pres.	Flow Direction	Min. Pilot Pres.	Max. Pilot Pres.	Max. Line Pres.	Max. Steam Pres.	Flow Direction	Min. Pilot Pres.	Max. Pilot Pres.	Max. Line Pres.	Max. Steam Pres.	Flow Direction	Min. Pilot Pres.	Max. Pilot Pres.
1/2"	1-3/4"	230	130	Overseat	26	150	230	130	Underseat	26	150	230/230	130/130	Ovr/Undr	60	150
1/2"	2-1/2"	290	130	Overseat	22	150	230	130	Underseat	22	150	230/230	130/130	Ovr/Undr	55	150
3/4"	1-3/4"	230	130	Overseat	26	150	230	130	Underseat	26	150	230/100	130/100	Ovr/Undr	60	150
3/4"	2-1/2"	290	130	Overseat	22	150	230	130	Underseat	22	150	230/230	130/130	Ovr/Undr	55	150
1"	2-1/2"	290	130	Overseat	22	150	230	130	Underseat	22	150	230/160	130/130	Ovr/Undr	55	150
1"	3-9/16"	290	130	Overseat	15	115	230	130	Underseat	15	115	230/200	130/130	Ovr/Undr	48	115
1-1/4"	2-1/2"	230	130	Overseat	41	150	230	130	Underseat	22	150	230/90	130/90	Ovr/Undr	55	150
1-1/4"	3-9/16"	230	130	Overseat	41	115	230	130	Underseat	15	115	230/175	130/130	Ovr/Undr	48	115
1-1/2"	2-1/2"	230	130	Overseat	41	150	230	130	Underseat	22	150	175/60	130/60	Ovr/Undr	55	150
1-1/2"	3-9/16"	230	130	Overseat	41	115	230	130	Underseat	15	115	230/115	130/115	Ovr/Undr	48	115
2"	2-1/2"	160	130	Overseat	41	150	175	130	Underseat	22	116	115/36	115/36	Ovr/Undr	55	150
2"	3-9/16"	220	130	Overseat	41	115	230	130	Underseat	15	115	200/75	130/75	Ovr/Undr	48	115