



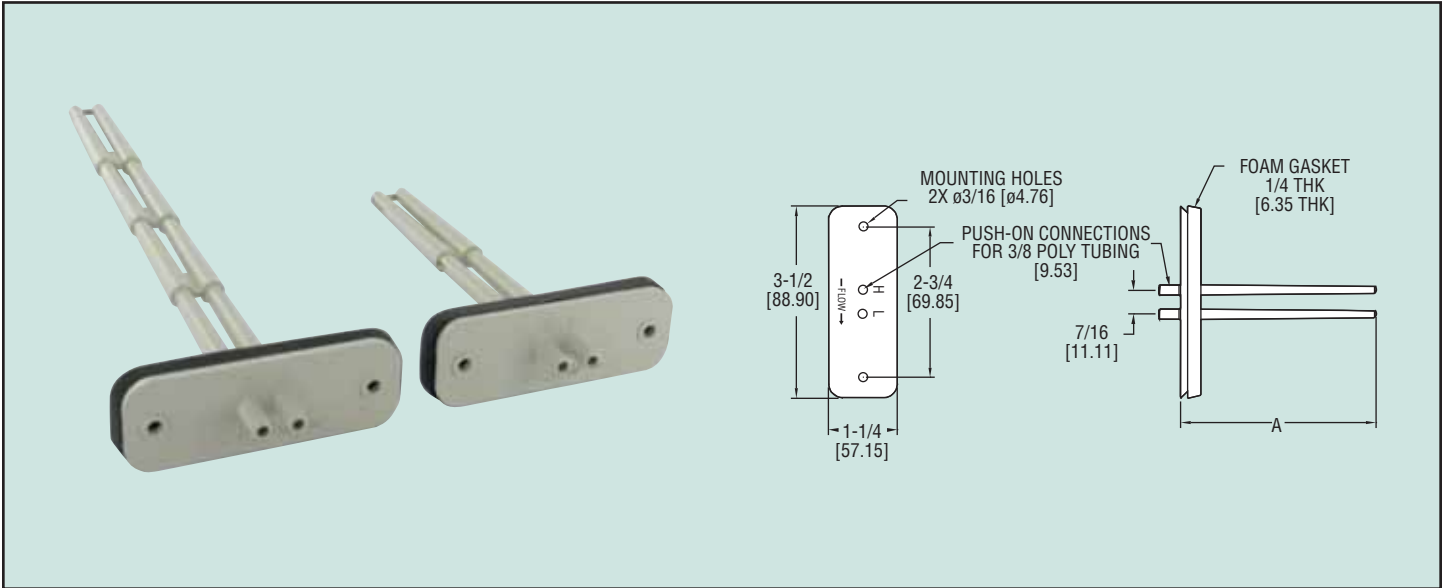
Series
SSS-1000

Lightweight Averaging Flow Sensor

Ideal for Sensing Fan Flow Rates

AIR QUALITY

Flow Sensors



The Series SSS-1000 Lightweight Flow Sensor is ideal for sensing differential pressure in the inlet section of variable air volume terminal units and fan terminal units. Units can also be used to sense differential pressure at other locations in the main or branch duct systems.

The “H” port senses total pressure and the “L” port senses static pressure. The difference between these signals is the differential, or velocity pressure.

For Models SSS-1002 to SSS-1005, up to four sensing points and lengths of 3-5/32” to 9-29/32” (8.02 to 25.26 cm) to accommodate box size diameters of 4” to 16” (10.16 to 40.64 cm) are available. For Models SSS-1006 to SSS-1011, up to 10 sensing points and lengths from 12-1/2” to 23-29/32” (31.75 to 60.72 cm) to accommodate appropriately sized box diameters.

APPLICATION

- Zone control in HVAC systems

SPECIFICATIONS

Service: Air and compatible gases.

Wetted Materials: ABS/polycarbonate (UL94-5V).

Temperature Limits:

Operating: 40 to 120°F (4 to 49°C);

Storage: -40 to 140°F (-40 to 60°C).

Process Connection: 1/4” (6 mm) I.D. tubing for 3/8” (10 mm) O.D. tubing.

Mounting Orientation: Integral flange with gasket.

Weight: 1 oz (28 g).

Model	Length (Dimension A)
SSS-1002	3-5/32” (8.02 cm)
SSS-1003	5-13/32” (13.73 cm)
SSS-1004	7-21/32” (19.55 cm)
SSS-1005	9-29/32” (25.26 cm)
SSS-1006	12-1/2” (31.75 cm)
SSS-1007	14-3/4” (37.47 cm)
SSS-1008	17-1/8” (43.50 cm)
SSS-1009	19-13/32” (49.29 cm)
SSS-1010	21-21/32” (55.01 cm)
SSS-1011	23-29/32” (60.72 cm)