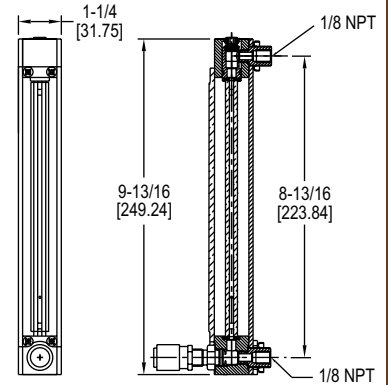
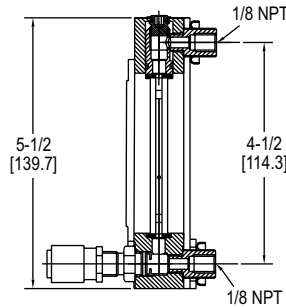
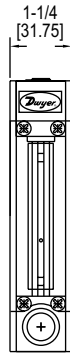


VARIABLE AREA GLASS FLOWMETERS

65 mm and 150 mm, ±2% FS Accuracy, Interchangeable Flowtubes, PTFE Options, Universal mm Scale



Panel Mounting: Drill two 5/8" dia. holes at 4.5" apart for 65 mm models and 8.812" apart for 150 mm models (center-to-center).

The **SERIES VA** Variable Area Glass Flowmeters are designed with easy to read universal mm scale and supplied with correlation charts containing calibration data for air and water.

FEATURES/BENEFITS

- Permanently fused ceramic scale with vertical locator line reduces parallax and eye fatigue saving time
- Long operating life with thick polycarbonate front shield that protects tube from breakage and serves as a magnifying lens to enhance reading resolution
- Standard 6-turn needle valve for flow rate control eliminating the need for a separate valve reducing cost
- No additional installation required with optional acrylic tripod base which allows for self-standing bench mounting
- High precision metering valves with non-rising stems are available for high sensitivity control and resolution for very low flow rate

APPLICATIONS

- Gas or liquid metering
- Chemical processing
- Semiconductor systems
- Water and air pollution analysis systems
- Laboratory systems

MODEL CHART - METAL 65 MM SCALE

| Model | | | | Max. Flow Rate | |
|-------------------------|-------------------|----------------------|-------|----------------------|-----------------------|
| Aluminum \$100.00(N) | SS \$221.00(N) | Brass \$132.00(N) | Float | Air SCFH (ml/min) | Water GPH (ml/min) |
| VA1043 | VA1243 | VA1343 | Glass | 0.104 (49) | 0.009 (0.55) |
| VA1044 | VA1244 | - | SS | 0.307 (145) | 0.038 (2.38) |
| VA1045 | VA1245 | VA1345 | Glass | 0.220 (104) | 0.028 (1.8) |
| VA1046 | VA1246 | - | SS | 0.633 (299) | 0.122 (7.7) |
| VA1047 | VA1247 | VA1347 | Glass | 0.43 (202) | 0.041 (2.6) |
| VA1048 | VA1248 | - | SS | 1.1 (522) | 0.19 (12.0) |
| VA10423 | VA12423 | VA1349 | Glass | 2.29 (1081) | 0.329 (20.8) |
| VA10424 | VA12424 | - | SS | 4.51 (2129) | 0.930 (58.7) |
| VA10411 | VA12411 | VA13411 | Glass | 2.65 (1249) | 0.428 (27) |
| VA10412 | VA12412 | - | SS | 5.34 (2520) | 1.125 (71) |
| VA10413 | VA12413 | VA13413 | Glass | 4.32 (2040) | 0.63 (40) |
| VA10414 | VA12414 | - | SS | 8.45 (3990) | 1.71 (108) |
| VA10417 | VA12417 | VA13417 | Glass | 13.4 (6318) | 2.33 (147) |
| VA10418 | VA12418 | - | SS | 25.5 (12058) | 5.77 (364) |
| VA10419 | VA12419 | VA13419 | Glass | 27.9 (13153) | 4.9 (309) |
| VA10420 | VA12420 | - | SS | 52.3 (24680) | 11.81 (745) |
| VA10421 | VA12421 | VA13421 | Glass | 49.1 (23169) | 8.27 (522) |
| VA10422 | VA12422 | - | SS | 89.2 (42094) | 19.97 (1260) |

(N) Items are net priced and are not subject to any discount.

MODEL CHART - METAL 150 MM SCALE

| Model | | | | Max. Flow Rate | |
|-------------------------|-------------------|----------------------|-------|----------------------|-----------------------|
| Aluminum \$168.00(N) | SS \$279.00(N) | Brass \$168.00(N) | Float | Air SCFH (ml/min) | Water GPH (ml/min) |
| VA20429 | VA22429 | VA23429 | Glass | 0.792 (374) | 0.087 (5.5) |
| VA20430 | VA22430 | - | SS | 1.725 (814) | 0.323 (20.4) |
| VA20433 | VA22433 | VA23433 | Glass | 4.9 (2313) | 0.848 (54) |
| VA20434 | VA22434 | - | SS | 9.67 (4562) | 2.067 (130) |
| VA20435 | VA22435 | VA23435 | Glass | 8.07 (3807) | 1.336 (84) |
| VA20436 | VA22436 | - | SS | 16.08 (7590) | 3.34 (217) |
| VA20437 | VA22437 | VA23437 | Glass | 18.38 (8678) | 3.32 (210) |
| VA20438 | VA22438 | - | SS | 35.5 (16737) | 8.02 (506) |
| VA20439 | VA22439 | VA23439 | Glass | 49.9 (23564) | 9.0 (568) |
| VA20440 | VA22440 | - | SS | 93.9 (44336) | 21.7 (1370) |

(N) Items are net priced and are not subject to any discount.

OPTIONS

| Use order code: | Description | Price |
|-----------------|--|----------|
| NISTCAL-FL1* | NIST traceable calibration certificate | \$215.00 |

*Specify media type (air or water) for NISTCAL option

SPECIFICATIONS

Service: Compatible gases or liquids.
Wetted Materials: Flowtube: Borosilicate glass; Floats: Glass or SS (sapphire, Carboly and tantalum are optional); Float stops: PTFE; End fittings: Anodized aluminum, 316 SS, brass or PTFE; Packings: Fluoroelastomer; O-rings: Buna-N on aluminum models and brass models, fluoroelastomer on SS models, PTFE on VAX5XX models.
Temperature Limits: 250°F (121°C); VAX5XX: -15 to 150°F (-26 to 65°C).
Pressure Limits: 200 psig (13.8 bar); VAX5XX: 100 psig (6.7 bar).
Accuracy: ±2% FS @ 70°F (21.1°C) and 14.7 psia (1 atm absolute); VA1043, VA1243, VA1343, VA25425, VA25025: ±5% FS @ 70°F (21.1°C) and 14.7 psia (1 @ absolute).
Repeatability: ±0.25% FS.
Leak Rate: 1 x 10⁻⁷ sccs of helium.
Scales: Universal 65 mm or 150 mm with correlation charts.
Turn-Down Ratio: 10:1.
Connections: Two 1/8" female NPT.
Mounting: Vertical.
Valve: 6-turn needle (standard), optional 16-turn high precision valve.
Valve Orifice: Acetal on aluminum models and brass models, PCTFE on stainless steel models, PTFE on VAX5XX models.

MODEL CHART - PTFE 65 MM SCALE

| Model | | | Max. Flow Rate | |
|---------------------------|------------------------------|-------|----------------------|-----------------------|
| With Valve \$273.00(N) | Without Valve \$231.00(N) | Float | Air SCFH (ml/min) | Water GPH (ml/min) |
| VA1545 | VA1505 | Glass | 0.220 (104) | 0.028 (1.8) |
| VA1547 | VA1507 | Glass | 0.428 (202) | 0.047 (2.95) |
| VA15411 | VA15011 | Glass | 2.646 (1249) | 0.428 (27) |
| VA15413 | VA15013 | Glass | 4.322 (2040) | 0.630 (39.7) |
| VA15417 | VA15017 | Glass | 13.39 (6318) | 2.33 (147) |
| VA15419 | VA15019 | Glass | 27.9 (13153) | 4.9 (309) |
| VA15421 | VA15021 | Glass | 49 (23169) | 8.27 (522) |

Note: VAX5XX models indicate PTFE units.

(N) Items are net priced and are not subject to any discount.

MODEL CHART - PTFE 150 MM SCALE

| Model | | | Max. Flow Rate | |
|---------------------------|------------------------------|-------|----------------------|-----------------------|
| With Valve \$347.00(N) | Without Valve \$305.00(N) | Float | Air SCFH (ml/min) | Water GPH (ml/min) |
| VA25425 | VA25025 | Glass | 0.104 (49) | 0.01 (0.61) |
| VA25429 | VA25029 | Glass | 0.792 (374) | 0.087 (5.5) |
| VA25431 | VA25031 | Glass | 1.75 (825) | 0.262 (16.5) |
| VA25435 | VA25035 | Glass | 8.07 (3807) | 1.34 (84.3) |
| VA25437 | VA25037 | Glass | 18.39 (8678) | 3.32 (209) |

Note: VAX5XX models indicate PTFE units.

(N) Items are net priced and are not subject to any discount.

ACCESSORIES

| Model | Description | Price |
|-------|---|-------------|
| VA81 | High precision valve, 316 SS, 0.42 SCFH capacity | \$132.00(N) |
| VA82 | High precision valve, 316 SS, 0.85 SCFH capacity | 132.00(N) |
| VA83 | High precision valve, 316 SS, 2.12 SCFH capacity | 132.00(N) |
| VA84 | High precision valve, 316 SS, 4.87 SCFH capacity | 132.00(N) |
| VA85 | High precision valve, 316 SS, 13.14 SCFH capacity | 132.00(N) |
| VA86 | High precision valve, 316 SS, 45.55 SCFH capacity | 132.00(N) |
| VA7 | Acrylic tripod for single meter | 54.00(N) |

(N) Items are net priced and are not subject to any discount.

USA: California Proposition 65

⚠WARNING: Cancer and Reproductive Harm - www.P65Warnings.ca.gov