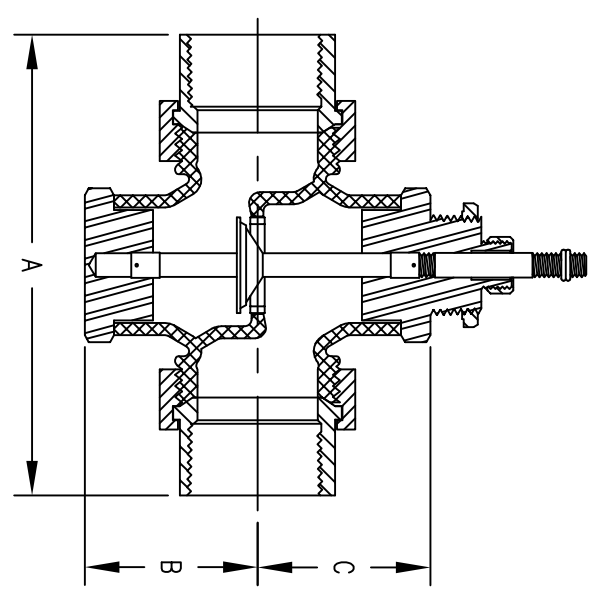


DIRECT ACTING  
SINGLE VALVE SEAT  
BRONZE BODY MATERIAL  
316SS TRIM MATERIAL  
THREADED, MALLEABLE IRON UNION ENDS CONNECTION



REVERSE ACTING  
SINGLE VALVE SEAT  
BRONZE BODY MATERIAL  
316SS TRIM MATERIAL  
THREADED, MALLEABLE IRON UNION ENDS CONNECTION

VALVE BODY NUMBER	REVERSE ACTING FOR COOLING	CONNECTION (NPT)	NOMINAL PORT	CAPACITY (Cv)	MAXIMUM CLOSE-OFF PRESSURE psid (bar)	DIMENSIONS IN (MM)			APPROXIMATE SHIPPING WT. lbs (kg)
						A	B	C	
DA1VA32	RA1VA32	1/2"	1/8"	0.17	250 (17.3)	4-13/16 [122.24]	1-13/16 [46.04]	1-13/16 [46.04]	3.0 (1.35)
DA2VA32	RA2VA32	1/2"	3/16"	0.35	250 (17.3)				3.0 (1.35)
DA3VA32	RA3VA32	1/2"	1/4"	0.7	250 (17.3)	4-13/16 [122.24]	1-13/16 [46.04]	1-13/16 [46.04]	3.0 (1.35)
DA4VA32	RA4VA32	1/2"	3/8"	1.4	250 (17.3)				3.0 (1.35)
DO0VA32	RO0VA32	1/2"	1/2"	2.8	250 (17.3)	5-39/64 [142.48]	2-5/16 [58.74]	2-5/16 [58.74]	3.0 (1.35)
DO1VA32	RO1VA32	3/4"	3/4"	5.6	140 (9.7)				4.9 (2.21)
DO2VA32	RO2VA32	1"	1"	8.4	80 (5.5)	6 [152.4]	6.0 (2.70)	6.0 (2.70)	
DO3VA32	RO3VA32	1-1/4"	1-1/4"	15	50 (3.4)	7-13/64 [182.96]	2-39/64 [66.28]	2-39/64 [66.28]	9.7 (3.47)
DO4VA32	RO4VA32	1-1/2"	1-1/2"	21	35 (2.4)	7-25/32 [197.64]	2-39/64 [66.28]	2-39/64 [66.28]	10.8 (4.86)
DO5VA32	RO5VA32	2"	2"	33	20 (1.4)	8-39/64 [218.68]	3-7/64 [78.98]	3-7/64 [78.98]	16.3 (7.34)

SCALE 1:2

© = CRITICAL DIMENSION  
STANDARD TOLERANCES UNLESS NOTED:  
ALL DECIMAL DIMENSIONS ± .005  
ALL ANGLES ± 1°

NO.		CHANGES		DATE		NAME		MATERIAL	
				DWN BY				FINISH	
				CHKD				Dwyer Instruments, Inc.	
				APPD				MICHIGAN CITY, INDIANA 46360 U.S.A.	
				BY/DATE				FR. NO.	
								3	

NOTICE: This drawing and the principles and elements of design embodied therein are the exclusive property of DWYER INSTRUMENTS, INC. and are not to be communicated, disclosed, reproduced or used except as previously authorized in writing by such corporation and must not be submitted to outside parties for examination without the written consent of said corporation.