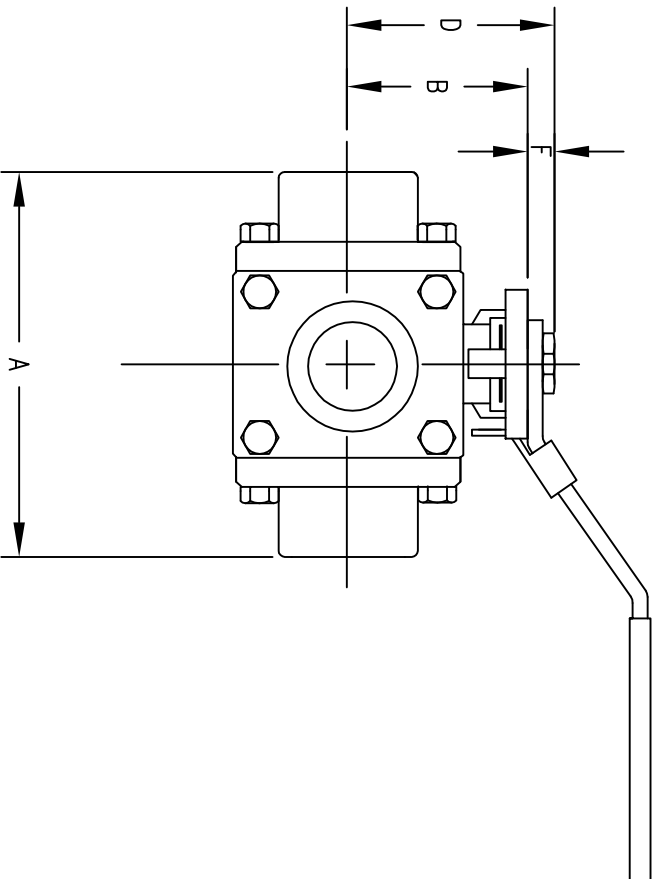
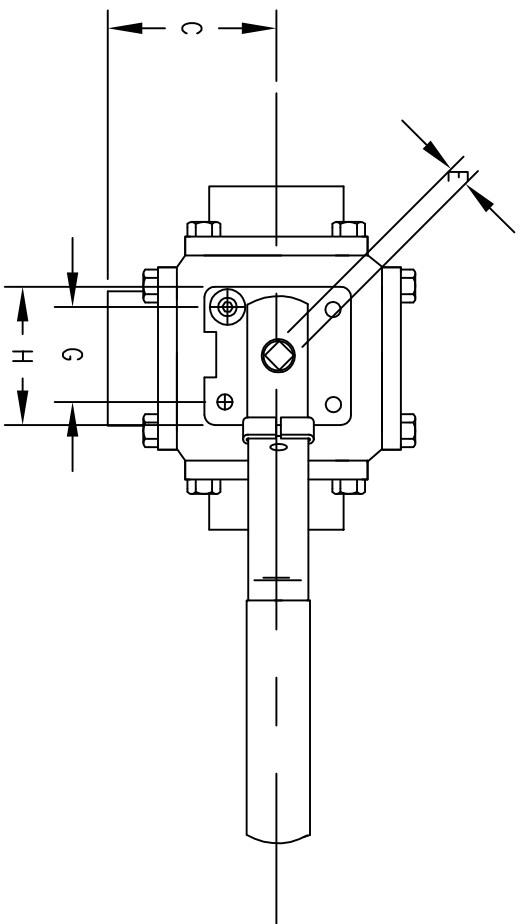


MODEL	NPT SIZE	ISO 5211	A	B	C	D	E SQ.	F	G SQ.	H SQ.
3BV3HX02	1/2"	F03-F04	3.78 96.00	1.96 49.78	1.89 48.00	2.26 57.40	.35 9.00	.30 7.62	1.42 36.07	1.65 41.91
3BV3HX03	3/4"	F04-F05	4.21 106.93	2.35 59.69	2.11 53.59	2.72 69.09	.43 11.00	.37 9.40	1.65 41.91	1.97 50.04
3BV3HX04	1"	F04-F05	4.96 126.00	2.50 63.50	2.48 63.00	2.93 74.42	.43 11.00	.43 10.92	1.65 41.91	1.97 50.04
3BV3HX05	1-1/4"	F05-F07	5.24 133.10	3.13 79.50	2.62 66.55	3.78 96.01	.55 14.00	.65 16.51	1.97 50.04	2.76 70.10
3BV3HX06	1-1/2"	F05-F07	5.94 150.88	3.40 86.36	2.97 75.44	4.07 103.38	.55 14.00	.67 17.02	1.97 50.04	2.76 70.10
3BV3HX07	2"	F07-F10	6.54 166.12	4.13 104.90	3.27 83.06	4.80 121.92	.67 17.00	.67 17.02	2.76 70.10	4.02 102.11



Ⓢ = CRITICAL DIMENSION  
 STANDARD TOLERANCES UNLESS NOTED:  
 ALL DECIMAL DIMENSIONS ± .005  
 ALL ANGLES ± 1°

DATE		NAME		MATERIAL
DWN BY		3BV3H SERIES		
CHKD		3WAY BALL VALVES		
APPD				
BY/DATE		ACAD2002		
CHANGES		3		
NO.	FR. NO.		Dwyer Instruments, Inc. MICHIGAN CITY, INDIANA 46360 U.S.A.	

NOTICE: This drawing and the principles and elements of design embodied therein are the exclusive property of DWYER INSTRUMENTS, INC. and are not to be communicated, disclosed, reproduced or used except as previously authorized in writing by such corporation and must not be submitted to outside parties for examination without the written consent of said corporation.