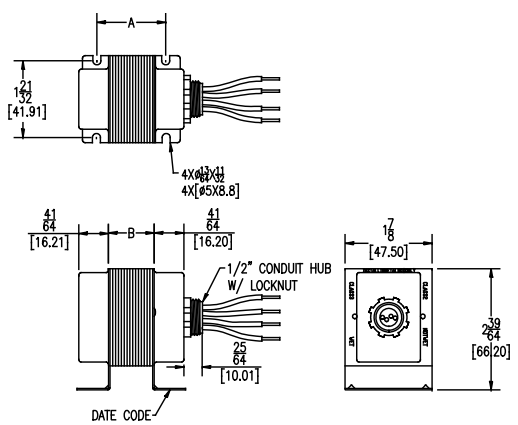
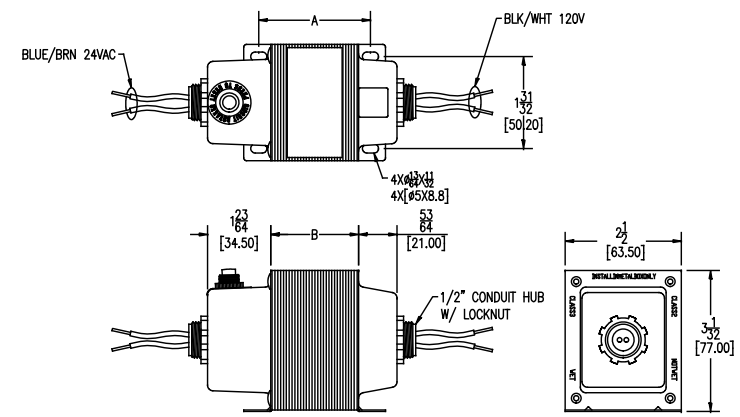


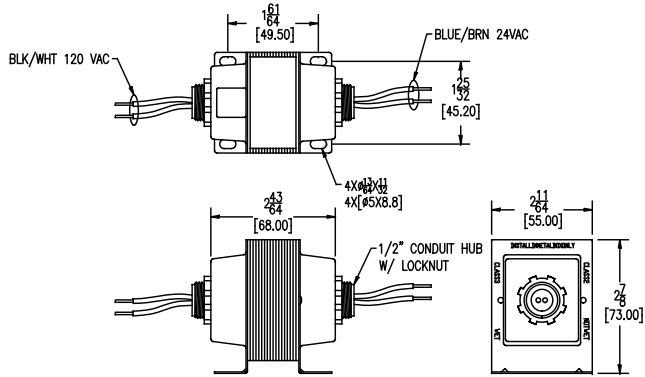
MODEL NO	A	B
APT-40-OSN	1 13/16 [49.50]	1 1/8 [29.60]
APT-40-1SN	1 13/16 [49.50]	1 1/8 [29.60]
APT-40-2SN	1 13/16 [49.50]	1 1/8 [29.60]
APT-40-3SN	1 13/16 [49.50]	1 1/8 [29.60]
APT-50-2SN	2 3/8 [51.50]	1 1/4 [31.60]



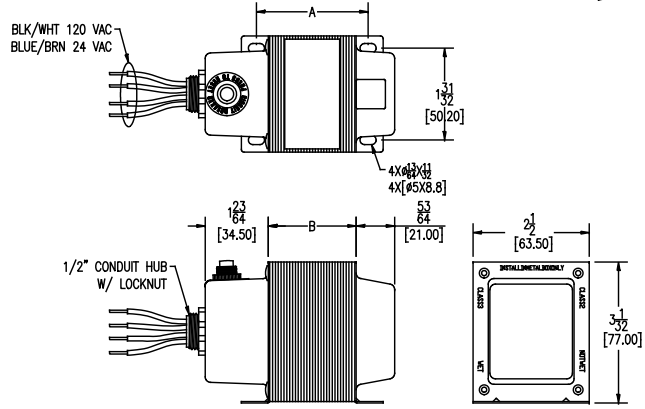
MODEL NO	A	B
APT-20-OSN	1 13/16 [37.59]	1 1/8 [25.0]
APT-20-1SN	1 13/16 [37.59]	1 1/8 [25.0]



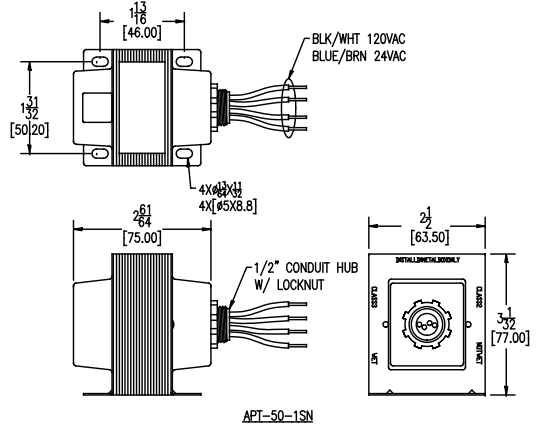
MODEL NO	A	B
APT-50-1DB	1 13/16 [46.00]	1 1/8 [33.00]
APT-50-2DB	1 13/16 [46.00]	1 1/4 [31.60]
APT-50-5DB	1 13/16 [46.00]	1 1/4 [31.60]
APT-75-1DB	2 1/8 [56.00]	1 1/8 [43.00]
APT-75-2DB	2 1/8 [56.00]	1 1/8 [41.60]
APT-75-5DB	2 1/8 [56.00]	1 1/8 [41.60]
APT-100-1DB	2 3/8 [61.00]	1 1/8 [48.00]
APT-100-1DB-L20	2 3/8 [61.00]	1 1/8 [48.00]
APT-100-2DB	2 3/8 [61.00]	1 1/8 [46.60]
APT-100-5DB	2 3/8 [66.00]	2 3/8 [51.60]
APT-150-1DB	2 3/8 [64.00]	1 1/8 [35.00]



MODEL NO	A	B
APT-40-1DN	1 13/16 [49.50]	1 1/8 [29.60]
APT-40-2DN	1 13/16 [49.50]	1 1/8 [29.60]
APT-40-5DN	2 3/8 [51.50]	1 1/4 [31.60]
APT-50-1DN	2 3/8 [51.50]	1 1/4 [31.60]
APT-50-2DN	2 3/8 [51.50]	1 1/4 [31.60]



MODEL NO	A	B
APT-50-1SB	1 13/16 [46.00]	1 1/8 [33.00]
APT-50-2SB	1 13/16 [46.00]	1 1/4 [31.60]
APT-50-5SB	1 13/16 [46.00]	1 1/4 [31.60]
APT-75-1SB	2 1/8 [56.00]	1 1/8 [43.00]
APT-75-2SB	2 1/8 [56.00]	1 1/8 [43.00]
APT-75-5SB	2 1/8 [56.00]	1 1/8 [41.60]
APT-100-1SB	2 3/8 [61.00]	1 1/8 [48.00]
APT-100-2SB	2 3/8 [61.00]	1 1/8 [48.00]
APT-100-5SB	2 3/8 [66.00]	2 3/8 [51.60]



Ⓢ = CRITICAL DIMENSION
STANDARD TOLERANCES UNLESS NOTED:
ALL DECIMAL DIMENSIONS ±
ALL ANGLES ±

SCALE 1:2

NO.	CHANGES	BY/DATE	NAME	MATERIAL
1	ADDED MODELS AND ARTWORK PER EDR #36298	RBS 12-22-14	ARTWORK APT SERIES AC POWER TRANSFORMER (FOR REFERENCE ONLY)	FINISH
				DWYER INSTRUMENTS, INC. MICHIGAN CITY, INDIANA 46360 U.S.A.
				FR. NO. 701225-00

NOTICE: This drawing and the principles and elements of design embodied therein are the exclusive property of DWYER INSTRUMENTS, INC. and are not to be reproduced, designed, reproduced or used in any manner without the written consent of said corporation.

ACAD2002