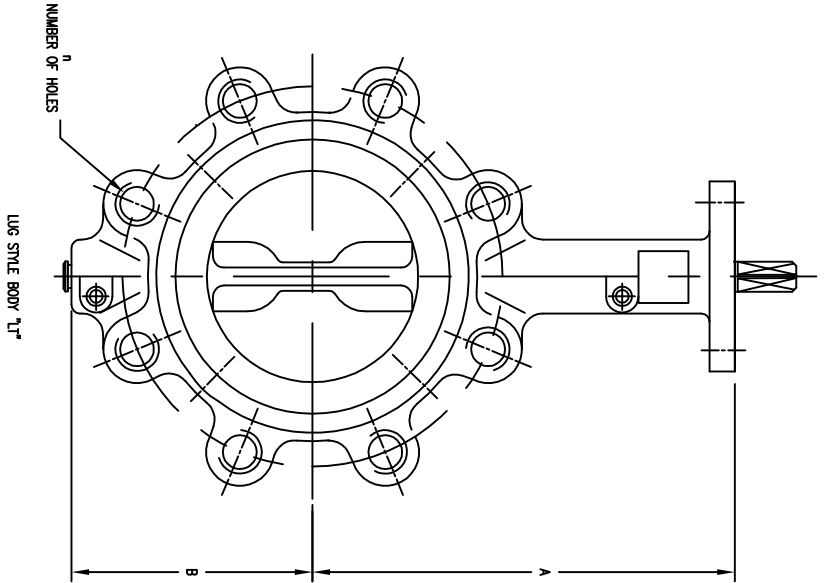
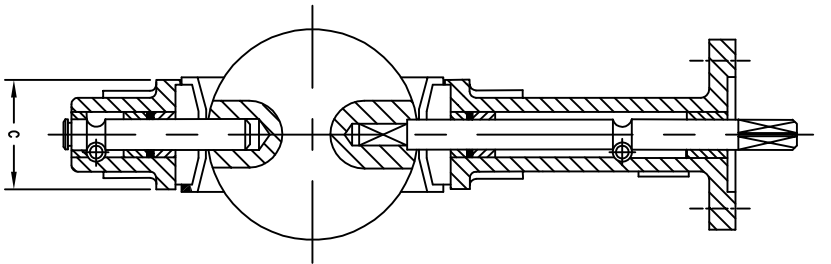


SIZE	A	B	C	n
2"	6-11/32	3-11/32	1-21/32	4
2 1/2"	[161.13]	[85]	[42]	4
3"	6-57/64	3-21/32	1-49/64	4
3 1/2"	[174]	[98]	[45]	4
4"	7-9/64	4-3/32	1-49/64	4
4 1/2"	[181.37]	[104]	[45]	4
5"	7-1/8	4-27/32	2-1/8	4
5 1/2"	[200.03]	[123]	[53.98]	4
6"	8-25/64	5-11/32	2-1/8	4
6 1/2"	[213.12]	[136]	[54]	4
8"	8-29/32	5-53/64	2-1/4	4
8 1/2"	[226.22]	[148]	[57.15]	4
10"	10-1/4	7-5/16	2-23/64	8
10 1/2"	[260.35]	[186]	[60]	8
12"	11-1/2	8-11/32	3	12
12 1/2"	[292.10]	[212]	[66]	12
14"	13-9/32	9-7/8	3-1/32	12
14 1/2"	[337.34]	[251]	[77]	12



SIZE	A	B	C	n
2"	6-11/32	3-11/32	1-21/32	4
2 1/2"	[161.13]	[85]	[42.07]	4
3"	6-57/64	3-55/64	1-49/64	4
3 1/2"	[175.02]	[98]	[44.85]	4
4"	7-9/64	4-3/32	1-25/32	4
4 1/2"	[181.37]	[104]	[45.24]	4
5"	7-1/8	4-27/32	2-1/16	8
5 1/2"	[200.03]	[123]	[52.39]	8
6"	8-25/64	5-11/32	2-5/32	8
6 1/2"	[213.12]	[136]	[54.77]	8
8"	8-29/32	5-53/64	2-13/64	8
8 1/2"	[226.22]	[148]	[55.96]	8
10"	10-1/4	7-5/16	2-25/64	8
10 1/2"	[260.35]	[186]	[60.72]	8
12"	11-1/2	8-11/32	2-19/32	12
12 1/2"	[292.10]	[212]	[65.88]	12
14"	13-9/32	9-7/8	3-1/32	12
14 1/2"	[337.34]	[251]	[76.99]	12



CRITICAL DIMENSION
 DIMENSIONS UNLESS NOTED
 ALL ANGLES \pm 1°

NO.		DATE		NAME	
CHANGES		DWG. BY		REV. SERIES	
BY/DATE		CHKD.		ARTWORK	
APPD.				(FOR REFERENCE ONLY)	
REVISED		DATE		BY/NAME	
3					
FR. NO.		MATERIAL		FINISH	
Dwyer Instruments, Inc.		MICHIGAN CITY, INDIANA 46360 U.S.A.			