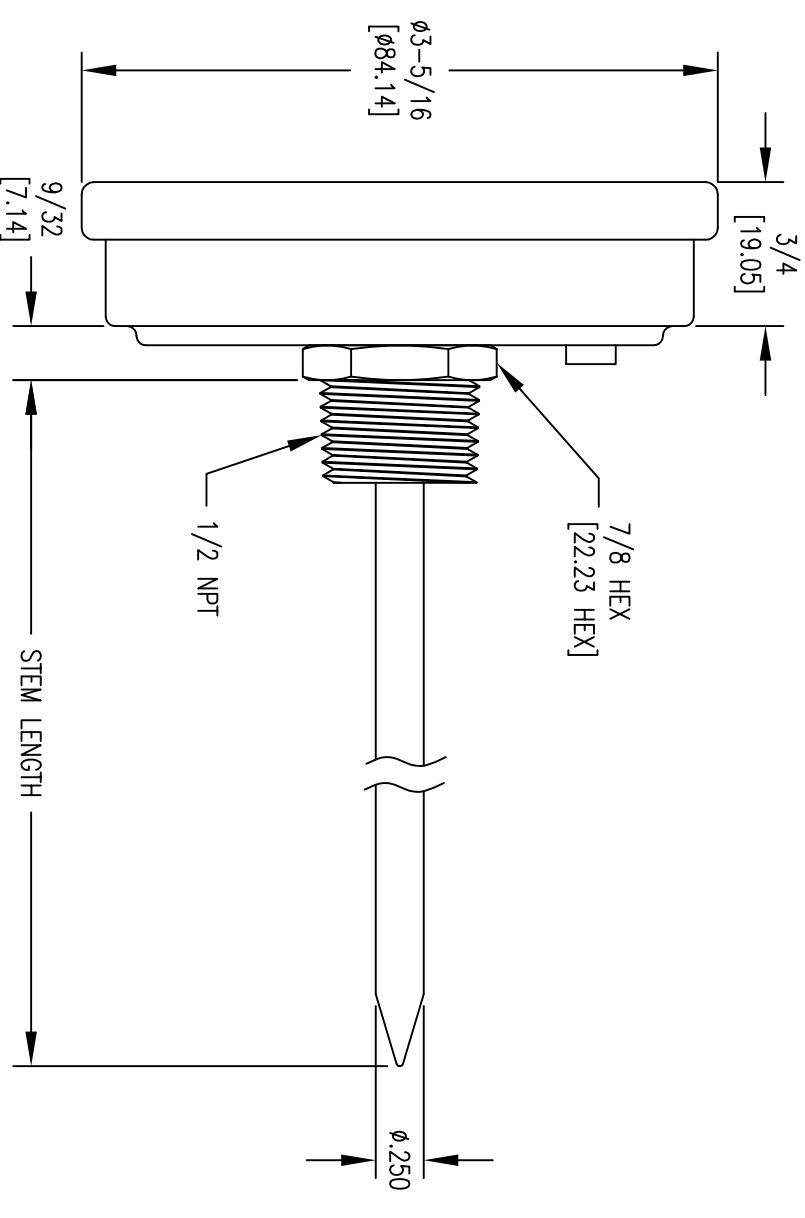


BTLR-GH  
GRIPPING HANDLE



SCALE 1:1

© = CRITICAL DIMENSION  
STANDARD TOLERANCES UNLESS NOTED:  
ALL DECIMAL DIMENSIONS ± .005  
ALL ANGLES ± 1°

NO.		CHANGES		BY/DATE		DATE		NAME		MATERIAL	
						DWN BY		BTLRN		BTLRN	
						CHKD		LONG REACH		BIMETAL	
				APPD				THERMOMETER		FINISH	
										Dwyer Instruments, Inc.	
										Michigan City, Indiana 46360 U.S.A.	
										FR. NO.	
										3	

NOTICE: This drawing and the principles and elements of design embodied therein are the exclusive property of DWYER INSTRUMENTS, INC. and are not to be communicated, disclosed, reproduced or used except as previously authorized in writing by such corporation and must not be submitted to outside parties for examination without the written consent of said corporation.