
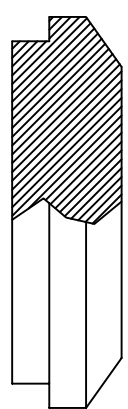


16 AMP CLAMP CAP



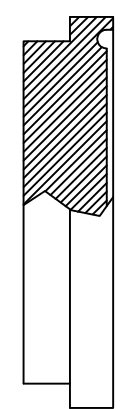
SIZE	TUBE O.D.	O.D.	THICKNESS
1/2 OR 3/4		1.00	.188
1		1.98	.25
1-1/2		1.98	.25
2		2.51	.25
2-1/2		3.03	.25
3		3.57	.25

16A BEVEL SEAT



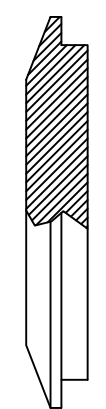
SIZE	TUBE O.D.	O.D.	THICKNESS
1		1.31	.46
1-1/2		1.84	.56
2		2.37	.62
2-1/2		2.90	.66
3		3.43	.71

16APV APC

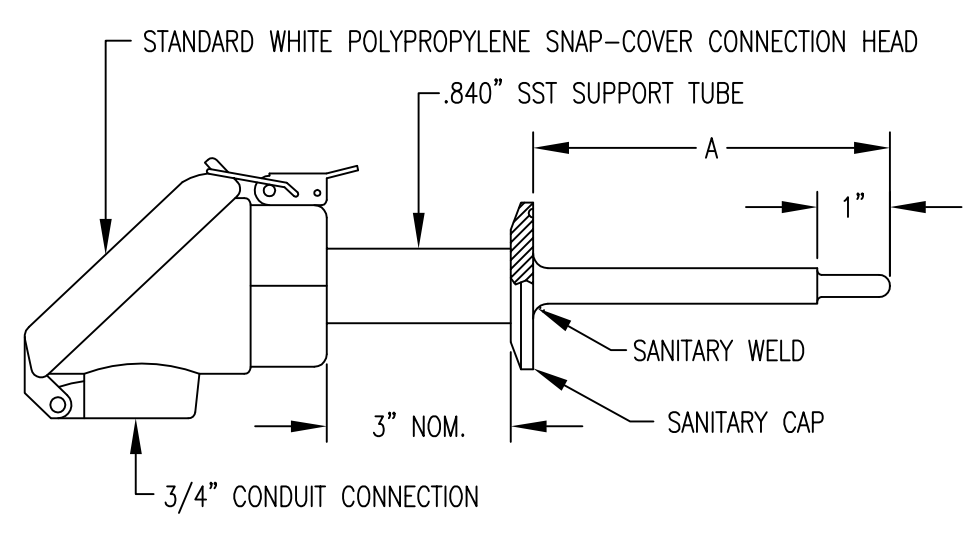
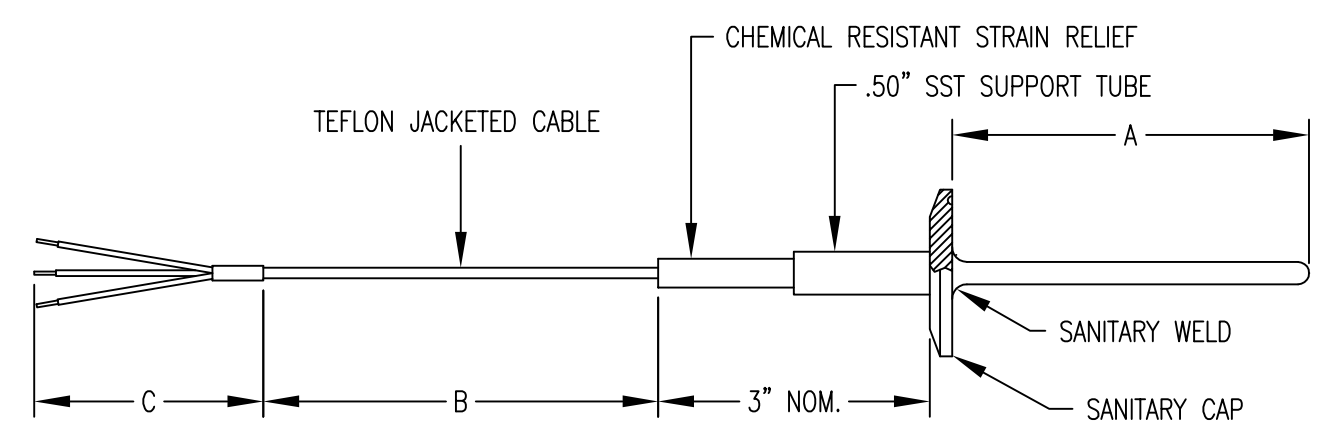
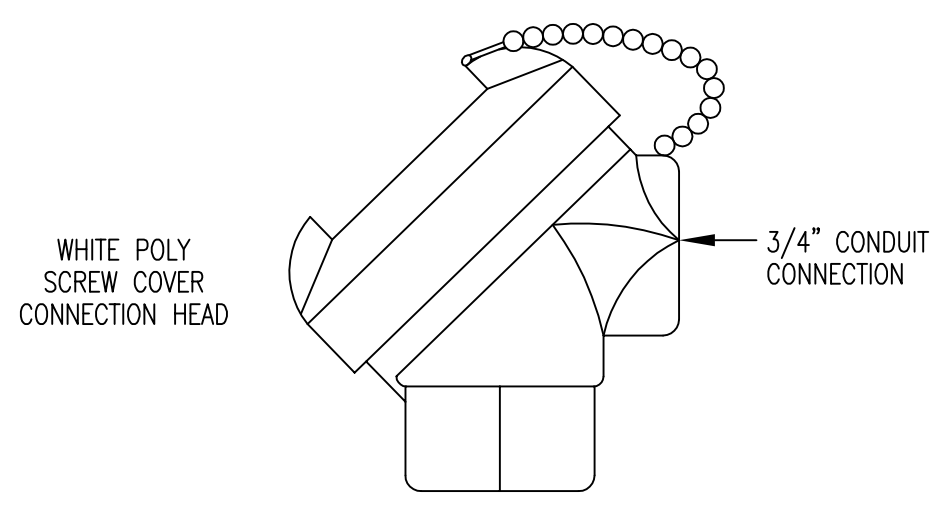
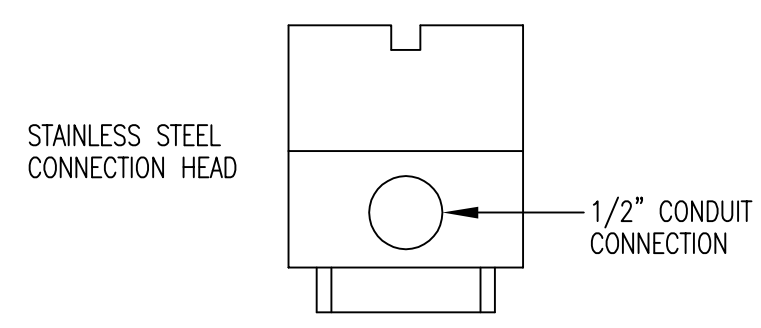
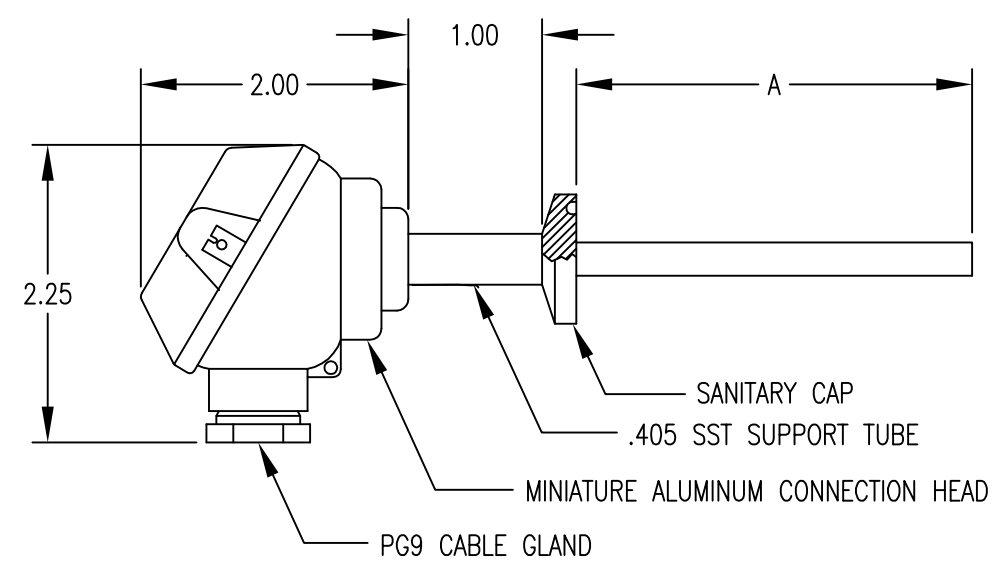
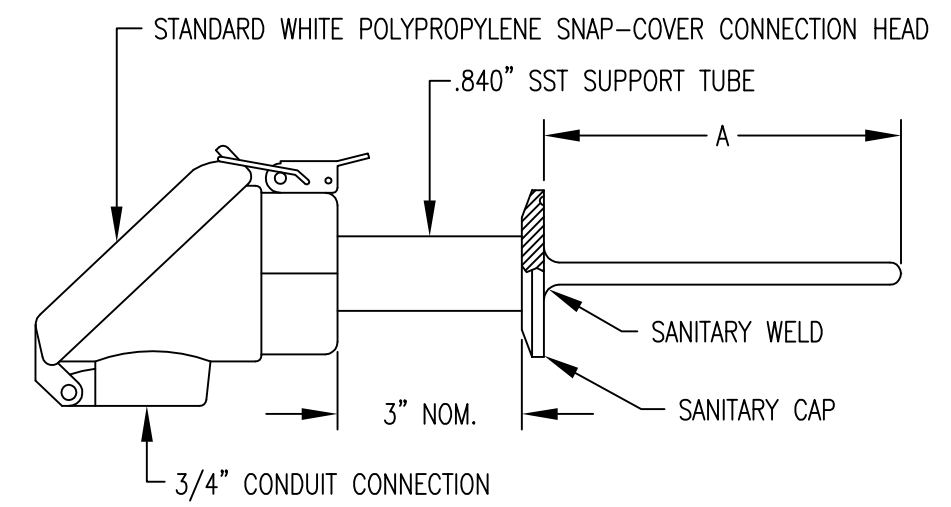


SIZE	TUBE O.D.	O.D.	THICKNESS
1		1.38	.29
1-1/2		1.88	.42
2		2.38	.46
2-1/2		2.88	.47
3		3.38	.50

16 AI-14I-LINE



SIZE	TUBE O.D.	O.D.	THICKNESS
1		2	.50
1-1/2		2	.50
2		2.65	.56
2-1/2		3.12	.56
3		3.87	.75



Ⓢ = CRITICAL DIMENSION
 STANDARD TOLERANCES UNLESS NOTED:
 ALL DECIMAL DIMENSIONS ± .005
 ALL ANGLES ± 1°

SCALE = NONE

		DATE	NAME	MATERIAL
		DWN BY	"D" SERIES SANITARY APPLICATION SENSORS	FINISH
		CHKD		DWYER INSTRUMENTS, INC. MICHIGAN CITY, INDIANA 46360 U.S.A.
		APPD		
NO.	CHANGES	BY/DATE	ACAD2002	FR. NO.

NOTICE: This drawing and the principles and elements of design embodied therein are the exclusive property of DWYER INSTRUMENTS, INC. and are not to be communicated, disclosed, reproduced or used except as previously authorized in writing by such corporation and must not be submitted to outside parties for examination without the written consent of said corporation.