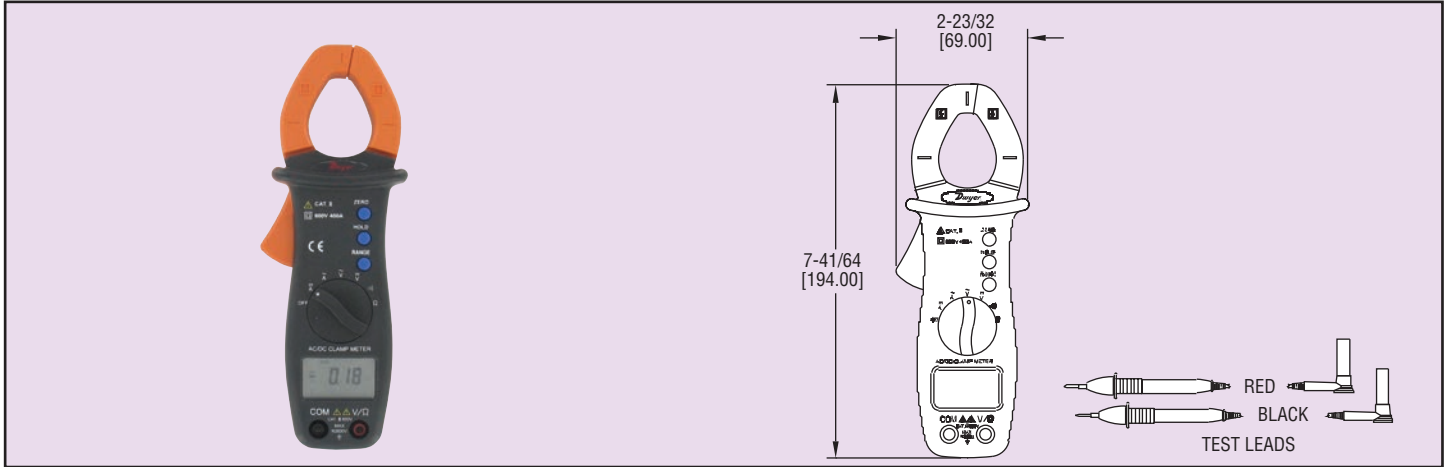




Model
CM-2

Digital Clamp Meter with True RMS

Measures DC/AC Voltage, DC/AC Current, Resistance



Our compact, low cost **Model CM-2 Digital Clamp Meter with True RMS** is ideal for general electrical testing and troubleshooting. A few applications include HVAC, automotive, electrical/power, and environmental monitoring uses. The Model CM-2 measures DC and AC voltage to 600 V, DC and AC current to 400 A, and resistance to 40 M Ω . The digital clamp meter features data/range hold and auto range buttons to prevent the screen from updating when gathering values, as well as a zero function. The 3-3/4 digit LCD features automatic polarity, overload and low battery indication. The Model CM-2 is furnished with red and black test leads, batteries and a carrying case with belt loop.

Model CM-2, Digital Clamp Meter with True RMS

SPECIFICATIONS

Over Voltage Category: CAT III 600 V.

AC Voltage: 0.1 mV to 600 V \pm (1.0% + 3 digit).

DC Voltage: 0.1 mV to 600 V \pm (0.8% + 2 digit).

AC Current: 10 mA to 400 A \pm (2.0% + 10 digit).

DC Current: 10 mA to 400 A \pm (2.0% + 10 digit).

Resistance: 0.1 to 40 M Ω \pm (1.0% + 3 digit).

Continuity Test: Audible buzzer.

Max. Conductor Size: 1.18" diameter (30 mm).

Display: 4000 counts plus decimal point.

Sampling Rate: 2 x per s.

Power Requirements: (2) AAA alkaline batteries, included, user replaceable.

Weight: 8.64 oz (245 g).