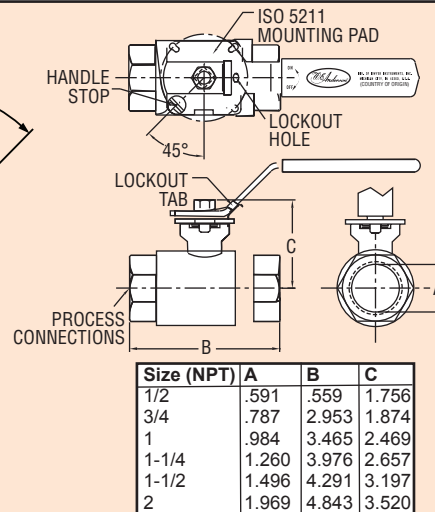
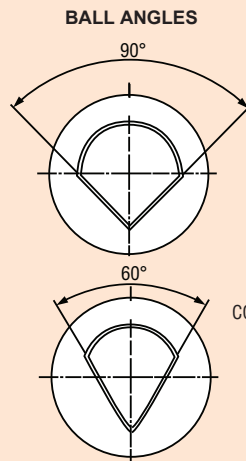
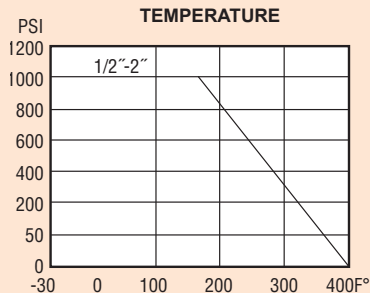




Series  
SVB

# Stainless Steel V-Ball Valve

Control Valve, ISO 5211 Mounting Pad



Series SVB Stainless Steel V-Ball Valve is available in various degrees of V angles allowing control valve capabilities in a quarter turn valve. SVB “V” port ball valves are available with 90 V and 60 V notches. V-Port valves offer more consistent control than traditional round ported ball valves, an alternative to expensive linear control valves. The ISO 5211 mounting pad allows direct mounting of pneumatic and electric actuators.

Size	Model	Ball Angle (Degrees)	Size	Model	Ball Angle (Degrees)
1/2"	SVB-M903	90	1/2"	SVB-M603	60
3/4"	SVB-M904	90	3/4"	SVB-M604	60
1"	SVB-M905	90	1"	SVB-M605	60
1-1/4"	SVB-M906	90	1-1/4"	SVB-M606	60
1-1/2"	SVB-M907	90	1-1/2"	SVB-M607	60
2"	SVB-M908	90	2"	SVB-M608	60

## SPECIFICATIONS

**Service:** Gases and liquids compatible with wetted materials.

**End Connections:** Female NPT.

**Pressure Limits:** 1000 psi (68.9 bar).

**Temperature Limit:** -30 to 400°F (-34 to 204°C).

### Wetted Materials:

Valve body and end caps: CF8M;

Ball and stem: 316 SS;

Stem seal, body seal, and stem packing: PTFE;

Seat: TFM1600.

**Other Materials:** Body bolt, gland, stem nut, space washer, and handle: 304 SS; Handle cover: Vinyl.